

5/2-way solenoid valve, G1/8, monostable - Series 3

Product code: 358-015-02-U7H

Datasheet creation date: 10/03/2025 11:00

Check the most updated document online [click here](#)

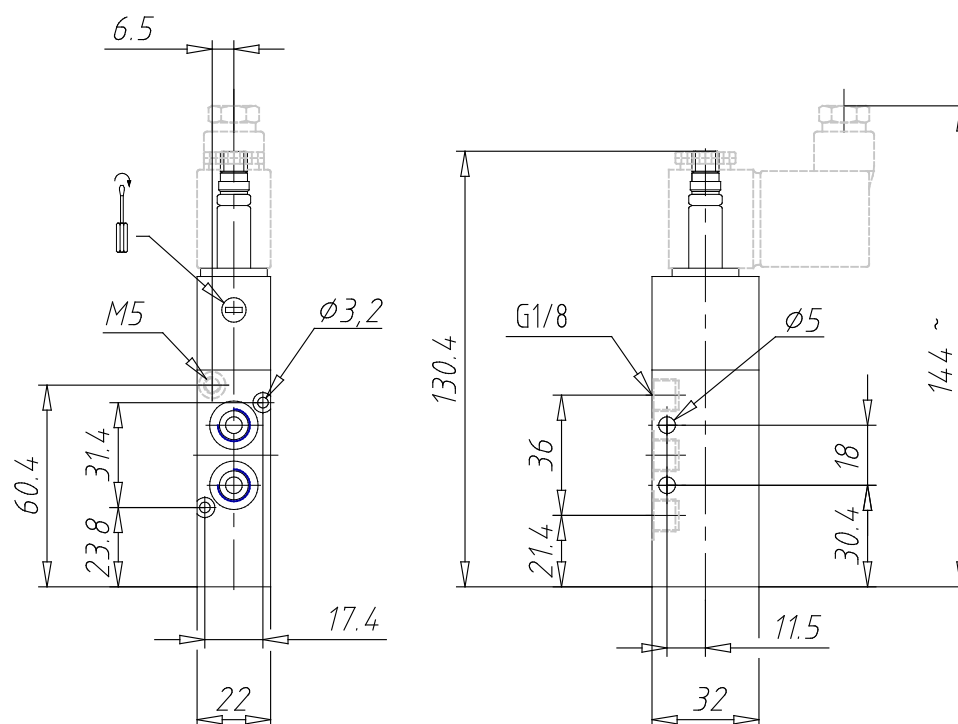


TECHNICAL DATA

Mod.	358-015-02
Function	5/2
Flow rate (Nl/min)	700
Operating pressure	2,5 ÷ 10
Pilot pressure	-
Manual override	= bistable standard
Dimensions of the solenoid	U7 = PET / 22 x 22
Solenoid voltage	H = 12 V DC

5/2-way solenoid valve, G1/8, monostable - Series 3

Product code: 358-015-02-U7H



DIMENSIONS

Mod.	358-015-02
Function	5/2
Flow rate (NI/min)	700
Operating pressure	2,5 ÷ 10
Pilot pressure	-
Manual override	= bistable standard
Dimensions of the solenoid	U7 = PET / 22 x 22
Solenoid voltage	H = 12 V DC