

## 5/2-way solenoid valve, G1/8, monostable - Series 3

Product code: 358-015-02IL

Datasheet creation date: 10/03/2025 11:01

Check the most updated document online [click here](#)

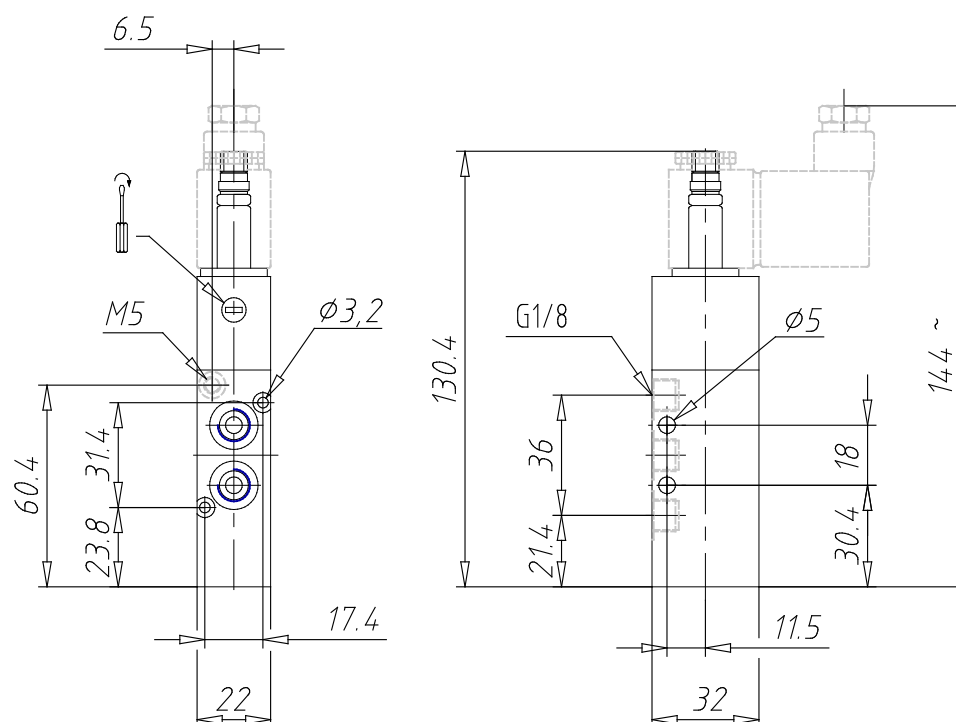


### TECHNICAL DATA

<b>Mod.</b>	358-015-02
<b>Function</b>	5/2
<b>Flow rate (NI/min)</b>	700
<b>Operating pressure</b>	2,5 ÷ 10
<b>Pilot pressure</b>	-
<b>Manual override</b>	IL = bistable, lever type (available on demand)
<b>Dimensions of the solenoid</b>	No solenoid
<b>Solenoid voltage</b>	

## 5/2-way solenoid valve, G1/8, monostable - Series 3

Product code: 358-015-02IL



### DIMENSIONS

<b>Mod.</b>	358-015-02
<b>Function</b>	5/2
<b>Flow rate (NI/min)</b>	700
<b>Operating pressure</b>	2,5 ÷ 10
<b>Pilot pressure</b>	-
<b>Manual override</b>	IL = bistable, lever type (available on demand)
<b>Dimensions of the solenoid</b>	No solenoid
<b>Solenoid voltage</b>	