

## 5/2-way solenoid valve, G1/8, monostable - Series 3

Product code: 358-016-02-U77

Datasheet creation date: 10/03/2025 11:01

Check the most updated document online [click here](#)

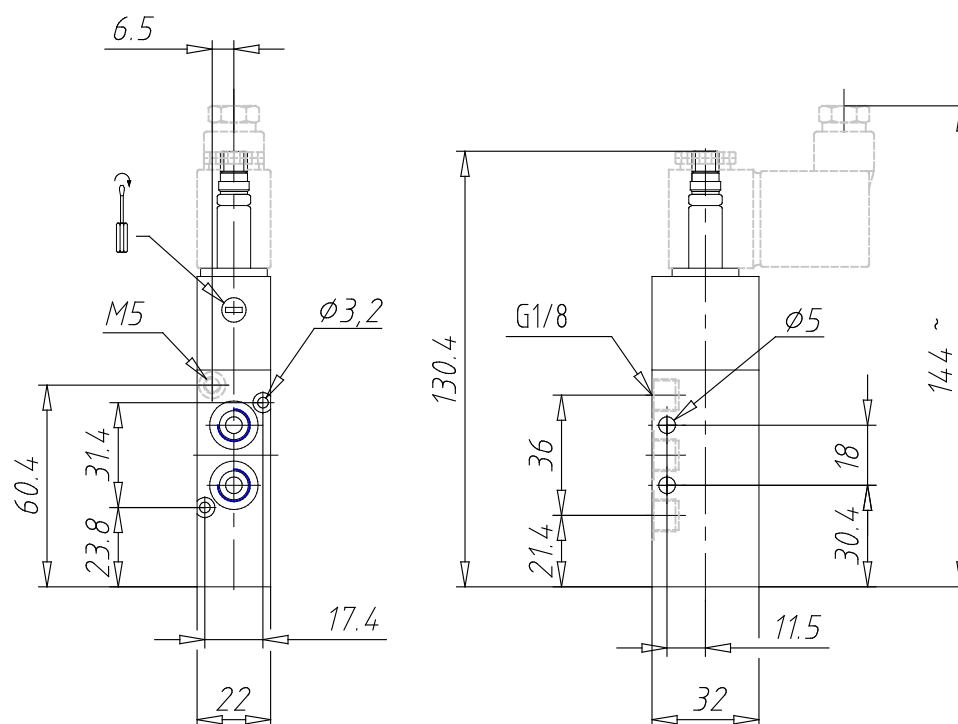


### TECHNICAL DATA

|                                   |                     |
|-----------------------------------|---------------------|
| <b>Mod.</b>                       | 358-016-02          |
| <b>Function</b>                   | 5/2                 |
| <b>Flow rate (Nl/min)</b>         | 700                 |
| <b>Operating pressure</b>         | 2,5 ÷ 10            |
| <b>Pilot pressure</b>             | -                   |
| <b>Manual override</b>            | = bistable standard |
| <b>Dimensions of the solenoid</b> | U7 = PET / 22 x 22  |
| <b>Solenoid voltage</b>           | 7 = 24 V DC         |

## 5/2-way solenoid valve, G1/8, monostable - Series 3

Product code: 358-016-02-U77



### DIMENSIONS

|                                   |                     |
|-----------------------------------|---------------------|
| <b>Mod.</b>                       | 358-016-02          |
| <b>Function</b>                   | 5/2                 |
| <b>Flow rate (NI/min)</b>         | 700                 |
| <b>Operating pressure</b>         | 2,5 ÷ 10            |
| <b>Pilot pressure</b>             | -                   |
| <b>Manual override</b>            | = bistable standard |
| <b>Dimensions of the solenoid</b> | U7 = PET / 22 x 22  |
| <b>Solenoid voltage</b>           | 7 = 24 V DC         |