

## Mechanically operated valves - Series 1 and 3 / 358-945

Product code: 358-945

Datasheet creation date: 10/03/2025 12:08

Check the most updated document online [click here](#)

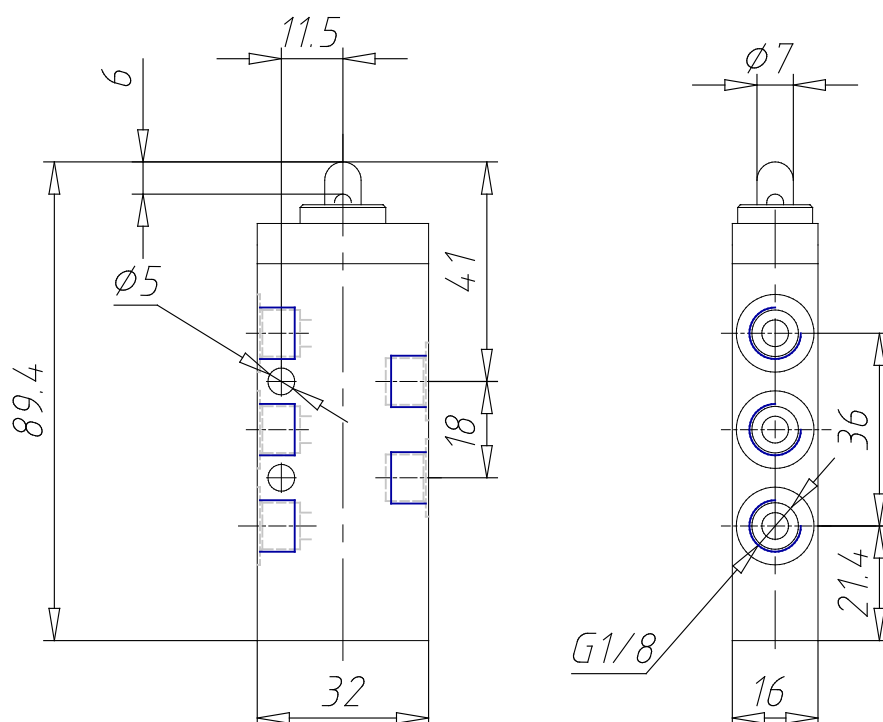


### TECHNICAL DATA

<b>Mod.</b>	358-945
<b>Operating pressure (bar)</b>	0,9+10 bar
<b>Flow rate</b>	700NL/min
<b>Actuating force</b>	35N
<b>Activity</b>	Actuating plunger

## Mechanically operated valves - Series 1 and 3 / 358-945

Product code: 358-945



### DIMENSIONS

<b>Mod.</b>	358-945
<b>Operating pressure (bar)</b>	0,9÷10 bar
<b>Flow rate</b>	700NL/min
<b>Actuating force</b>	35N
<b>Activity</b>	Actuating plunger