

## Electromechanical cylinders - Series 3E

Product code: 3E020BS0050P10F

Datasheet creation date: 20/05/2026 06:47

Check the most updated document online [click here](#)

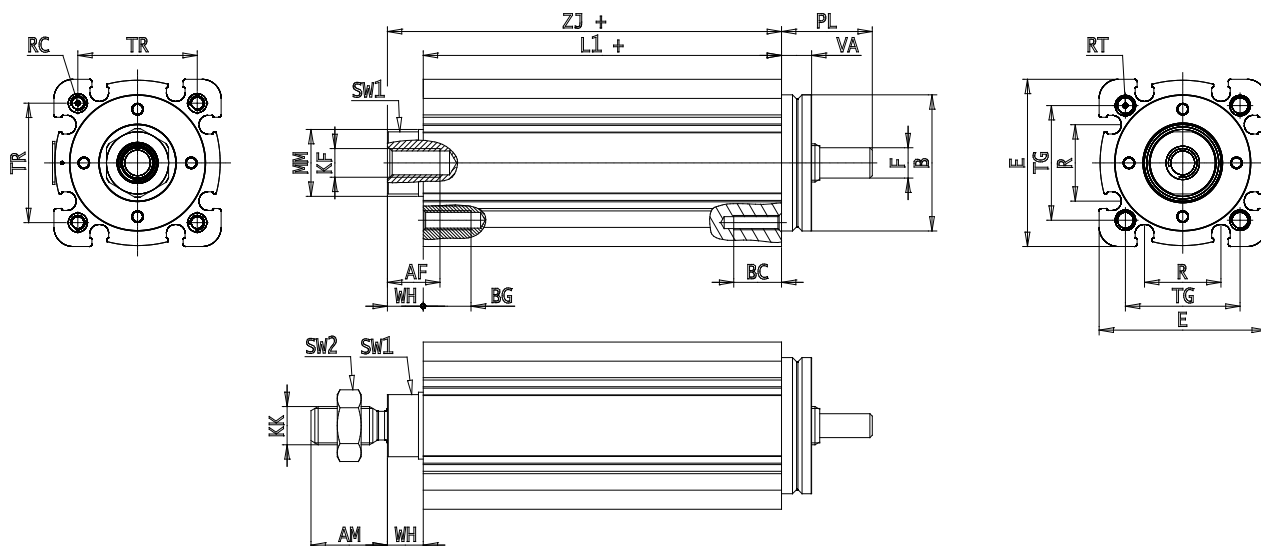


### TECHNICAL DATA

<b>Series</b>	3E
<b>Size (mm)</b>	020
<b>Screw pitch (mm)</b>	P10 = 10mm
<b>Stroke (mm)</b>	50
<b>Construction type</b>	F = female rod thread
<b>longer piston rod</b>	0
<b>Motor connection</b>	cylinder only
<b>Motor</b>	
<b>Brake</b>	
<b>Encoder</b>	
<b>Type of communication</b>	
<b>Additional functions</b>	

## Electromechanical cylinders - Series 3E

Product code: 3E020BS0050P10F



### DIMENSIONS

AM (mm)	16
AF (mm)	11
B (mm)	28.5
BG (mm)	10
E (mm)	35
E2 (mm)	42.5
F (mm)	5
KF	M6
M (mm)	0
A (mm)	0
KK (mm)	M8x1.25
L1 (mm)	125
L2 (mm)	0
MM (mm)	14
R (mm)	16
RT (mm)	M4
PL (mm)	19
SW1 (mm)	13
SW2 (mm)	13
TG (mm)	24.0
VA (mm)	6.5
TR (mm)	25.0
RC	M3

BC (mm)	10
VD (mm)	2
N (mm)	2.2
WH (mm)	7.5
ZJ (mm)	132.5
ZY (mm)	0