

Electromechanical cylinders - Series 3E

Product code: 3E020BS0105P03M/PMAB0

Datasheet creation date: 07/03/2025 16:56

Check the most updated document online [click here](#)

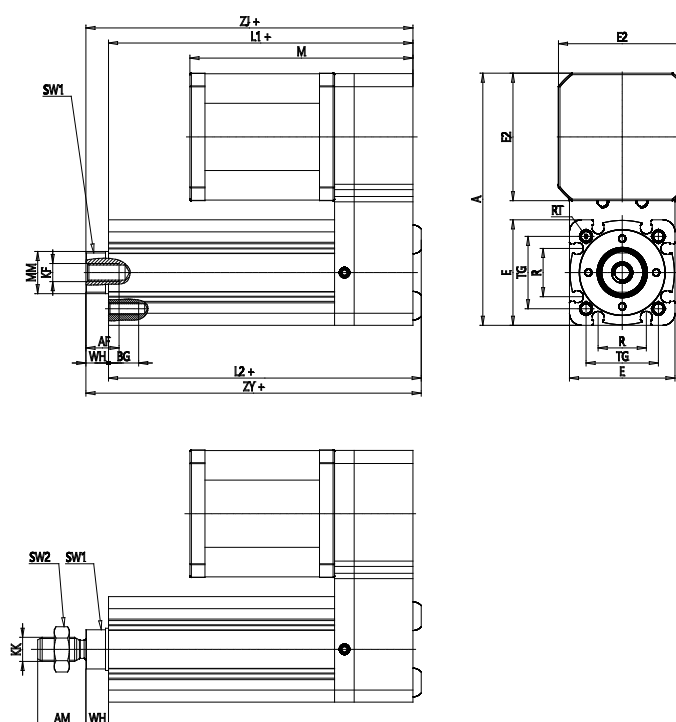


TECHNICAL DATA

Series	3E
Size (mm)	020
Screw pitch (mm)	P03 = 3mm
Stroke (mm)	105
Construction type	M = male rod thread
longer piston rod	0
Motor connection	PM = Kit Mod. PM
Motor	A = MTS 17
Brake	B = with brake
Encoder	0 = without encoder
Type of communication	
Additional functions	

Electromechanical cylinders - Series 3E

Product code: 3E020BS0105P03M/PMAB0



DIMENSIONS

AM (mm)	16
AF (mm)	11
B (mm)	28.5
BG (mm)	10
E (mm)	35
E2	42.5
F (mm)	5
KF	M6
M (mm)	104
A (mm)	84
KK (mm)	M8x1.25
L1 (mm)	206
L2 (mm)	209
MM (mm)	14
R (mm)	16
RT (mm)	M4
PL (mm)	19
SW1 (mm)	13
SW2 (mm)	13
TG (mm)	24.0
VA (mm)	6.5
TR (mm)	25.0
RC	M3

BC (mm)	10
VD (mm)	2
N (mm)	2.2
WH (mm)	7.5
ZJ (mm)	214.0
ZY (mm)	217