

Electromechanical cylinders - Series 3E

Product code: 3E032BS0150P10M/PMC00

Datasheet creation date: 07/03/2025 16:58

Check the most updated document online [click here](#)

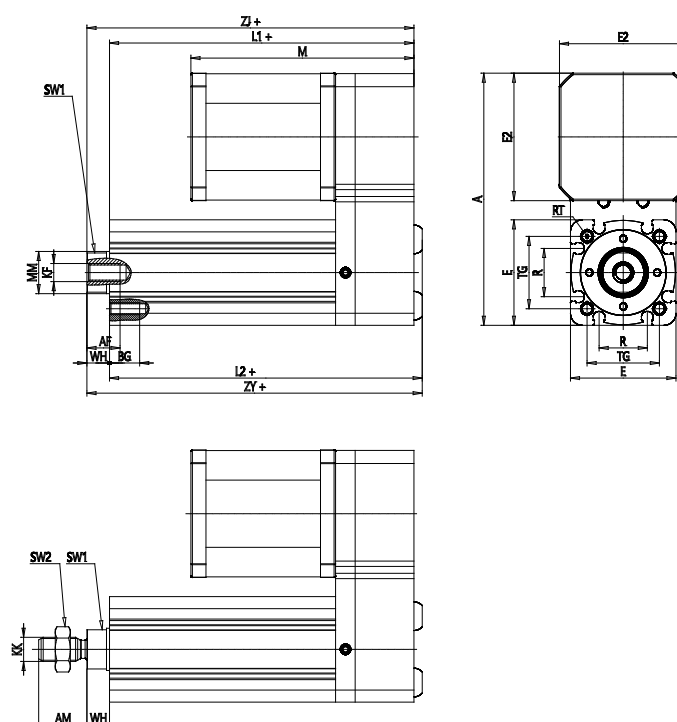


TECHNICAL DATA

Series	3E
Size (mm)	032
Screw pitch (mm)	P10 = 10mm
Stroke (mm)	150
Construction type	M = male rod thread
longer piston rod	0
Motor connection	PM = Kit Mod. PM
Motor	C = MTS 24
Brake	0 = without brake
Encoder	0 = without encoder
Type of communication	
Additional functions	

Electromechanical cylinders - Series 3E

Product code: 3E032BS0150P10M/PMC00



DIMENSIONS

AM (mm)	19
AF (mm)	13
B (mm)	34.0
BG (mm)	10
E (mm)	42
E2	0.0
F (mm)	5
KF	M8
M (mm)	0
A (mm)	0
KK (mm)	M10x1.25
L1 (mm)	253
L2 (mm)	256
MM (mm)	14
R (mm)	19
RT (mm)	M5
PL (mm)	19
SW1 (mm)	13
SW2 (mm)	17
TG (mm)	32.5
VA (mm)	5.5
TR (mm)	32.5
RC	M5

BC (mm)	10
VD (mm)	2
N (mm)	2.2
WH (mm)	7.5
ZJ (mm)	261.0
ZY (mm)	264