

Electromechanical cylinders - Series 3E

Product code: 3E032BS0300P10M/AME0E-EI

Datasheet creation date: 07/03/2025 16:59

Check the most updated document online [click here](#)

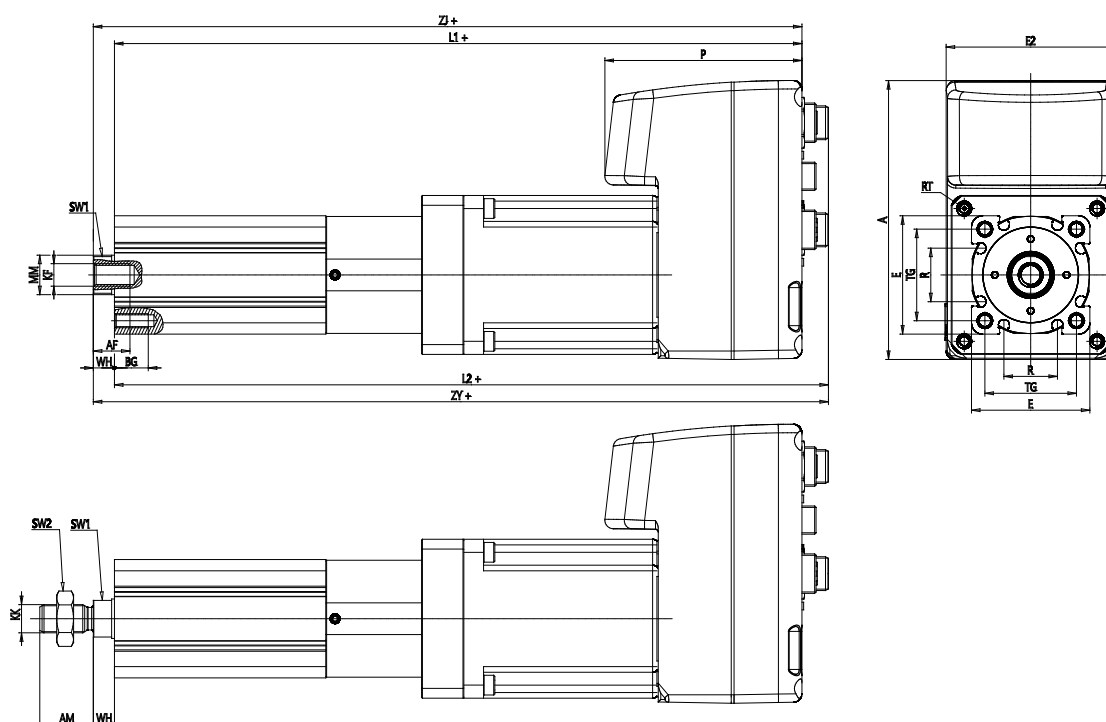


TECHNICAL DATA

| | |
|------------------------------|--------------------------|
| Series | 3E |
| Size (mm) | 032 |
| Screw pitch (mm) | P10 = 10mm |
| Stroke (mm) | 300 |
| Construction type | M = male rod thread |
| longer piston rod | 0 |
| Motor connection | AM = Kit Mod. AM |
| Motor | E = DRVI-23ST |
| Brake | 0 = without brake |
| Encoder | E = with encoder |
| Type of communication | EI = Ethernet IP |
| Additional functions | = No additional function |

Electromechanical cylinders - Series 3E

Product code: 3E032BS0300P10M/AME0E-EI



DIMENSIONS

| | |
|----------|----------|
| AM (mm) | 19 |
| AF (mm) | 13 |
| B (mm) | 34.0 |
| BG (mm) | 10 |
| E (mm) | 42 |
| E2 | 0.0 |
| F (mm) | 5 |
| KF | M8 |
| M (mm) | 0 |
| A (mm) | 0 |
| KK (mm) | M10x1.25 |
| L1 (mm) | 375 |
| L2 (mm) | 0 |
| MM (mm) | 14 |
| R (mm) | 19 |
| RT (mm) | M5 |
| PL (mm) | 19 |
| SW1 (mm) | 13 |
| SW2 (mm) | 17 |
| TG (mm) | 32.5 |
| VA (mm) | 5.5 |
| TR (mm) | 32.5 |
| RC | M5 |

| | |
|---------|-------|
| BC (mm) | 10 |
| VD (mm) | 2 |
| N (mm) | 2.2 |
| WH (mm) | 7.5 |
| ZJ (mm) | 382.5 |
| ZY (mm) | 0 |