

## Cylinders ISO 15552 (ex DIN/ISO 6431 / VDMA 24562) - Series 40K

Product code: 40K2L160A0250EX

Datasheet creation date: 08/03/2025 10:46

Check the most updated document online [click here](#)

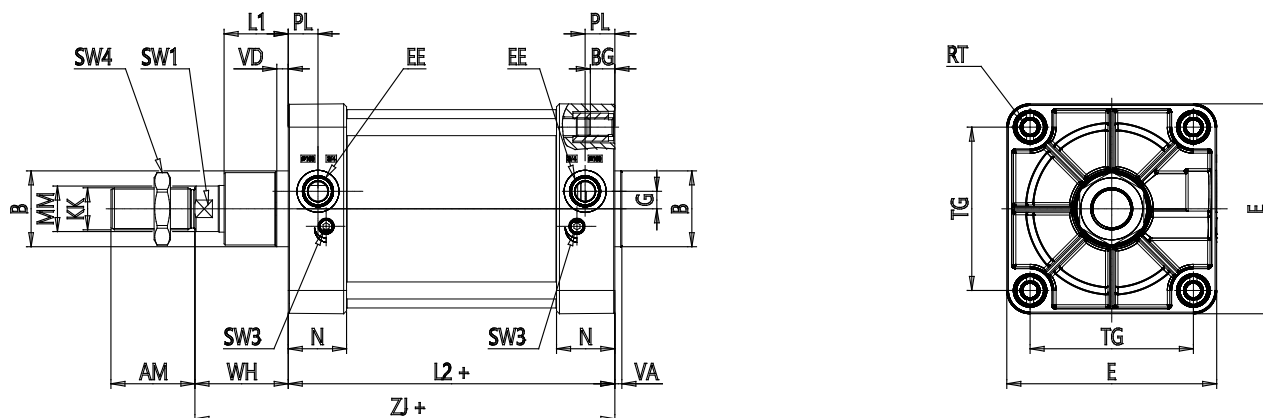


### TECHNICAL DATA

|                             |  |
|-----------------------------|--|
| <b>Series (mm)</b>          | 40   |
| <b>Version</b>              | K = standard, magnetic   |
| <b>Operation</b>            | 2 = double-acting (front and rear cushions)                                      |
| <b>Materials</b>            | L = rolled stainless steel rod AISI 420B anodized aluminium round tube NBR seals |
| <b>Ø (mm)</b>               | 160  |
| <b>Construction</b>         | A = standard   |
| <b>Stroke type</b>          | variable   |
| <b>Stroke (mm)</b>          | 250  |
| <b>Option</b>               | Standard   |
| <b>extended piston (mm)</b> | 0  |
| <b>Certifications</b>       | EX = ATEX  |

## Cylinders ISO 15552 (ex DIN/ISO 6431 / VDMA 24562) - Series 40K

Product code: 40K2L160A0250EX



### DIMENSIONS

|                        |         |
|------------------------|---------|
| Ø (mm)                 | 40      |
| KK                     | M36x2   |
| Ø D11 (mm)             | 65      |
| PL (mm)                | 25.5    |
| G (mm)                 | 15      |
| L1 (mm)                | 55      |
| AM (mm)                | 72      |
| VA (mm)                | 6       |
| EE                     | G3/4    |
| WH (mm)                | 80      |
| L2 (mm)                | 260.000 |
| ZJ (mm)                | 260     |
| VD (mm)                | 6       |
| N (mm)                 | 45.0    |
| RT                     | M16     |
| BG (mm)                | 24      |
| TG (mm)                | 140     |
| E (mm)                 | 180     |
| SW1 (mm)               | 36      |
| SW3 (mm)               | 4       |
| SW4 (mm)               | 55      |
| Cushioning stroke (mm) | 33      |
| XV1±2 (mm)             | 145     |

|            |     |
|------------|-----|
| XV2±2 (mm) | 170 |
| XV3±2 (mm) | 195 |
| h14 (mm)   | 200 |
| TK (mm)    | 40  |
| e9 (mm)    | 32  |
| h14 (mm)   | 32  |
| UW (mm)    | 200 |
| R (mm)     | 0.2 |