

Cylinders ISO 15552 (ex DIN/ISO 6431 / VDMA 24562) - Series 40K

Product code: 40K2L250A0200

Datasheet creation date: 08/03/2025 10:59

Check the most updated document online [click here](#)

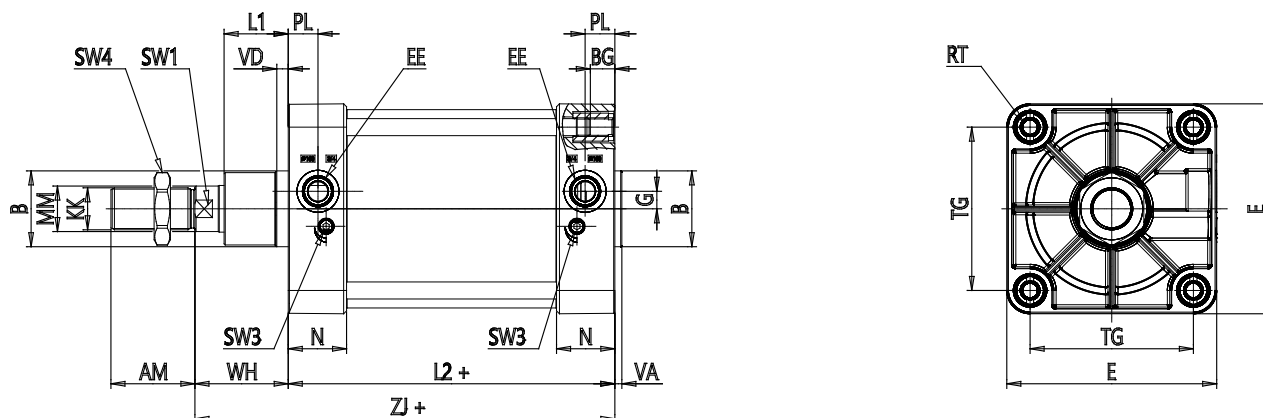


TECHNICAL DATA

Series (mm)	40
Version	K = standard, magnetic
Operation	2 = double-acting (front and rear cushions)
Materials	L = rolled stainless steel rod AISI 420B anodized aluminium round tube NBR seals
Ø (mm)	250
Construction	A = standard
Stroke type	standard
Stroke (mm)	200
Option	Standard
extended piston (mm)	0
Certifications	Standard

Cylinders ISO 15552 (ex DIN/ISO 6431 / VDMA 24562) - Series 40K

Product code: 40K2L250A0200



DIMENSIONS

Ø (mm)	50
KK	M42x2
Ø D11 (mm)	90
PL (mm)	30.0
G (mm)	25
L1 (mm)	75
AM (mm)	84
VA (mm)	8
EE	G1
WH (mm)	105
L2 (mm)	305.000
ZJ (mm)	305
VD (mm)	6
N (mm)	53.0
RT	M20
BG (mm)	25
TG (mm)	220
E (mm)	270
SW1 (mm)	46
SW3 (mm)	6
SW4 (mm)	65
Cushioning stroke (mm)	48
XV1±2 (mm)	185

XV2±2 (mm)	205
XV3±2 (mm)	225
h14 (mm)	320
TK (mm)	50
e9 (mm)	40
h14 (mm)	40
UW (mm)	300
R (mm)	0.0