

3/2-way solenoid valve, G3/8, monostable - Series 4

Product code: 433-016-22

Datasheet creation date: 10/03/2025 11:50

Check the most updated document online [click here](#)

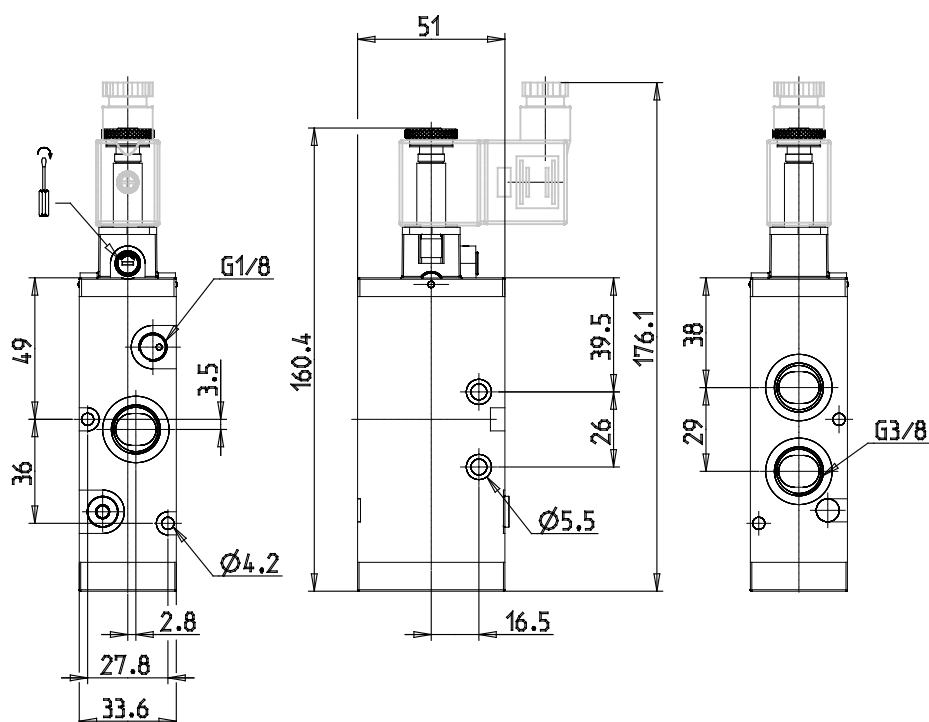


TECHNICAL DATA

| | |
|-----------------------------------|----------------------|
| Mod. | 433-016-22 |
| Function | 3/2NC |
| Flow rate (NI/min) | 1800 |
| Operating pressure (bar) | 2,5-10 |
| Min. pilot pressure (bar) | - |
| Type of manual override | = bistable, standard |
| Dimensions of the solenoid | No solenoid |
| Solenoid voltage | |

3/2-way solenoid valve, G3/8, monostable - Series 4

Product code: 433-016-22



DIMENSIONS

| | |
|-----------------------------------|----------------------|
| Mod. | 433-016-22 |
| Function | 3/2NC |
| Flow rate (NI/min) | 1800 |
| Operating pressure (bar) | 2,5-10 |
| Min. pilot pressure (bar) | - |
| Type of manual override | = bistable, standard |
| Dimensions of the solenoid | No solenoid |
| Solenoid voltage | |