

3/2-way solenoid valve, G3/8, monostable - Series 4

Product code: 433-E15-22-G77

Datasheet creation date: 10/03/2025 11:58

Check the most updated document online [click here](#)

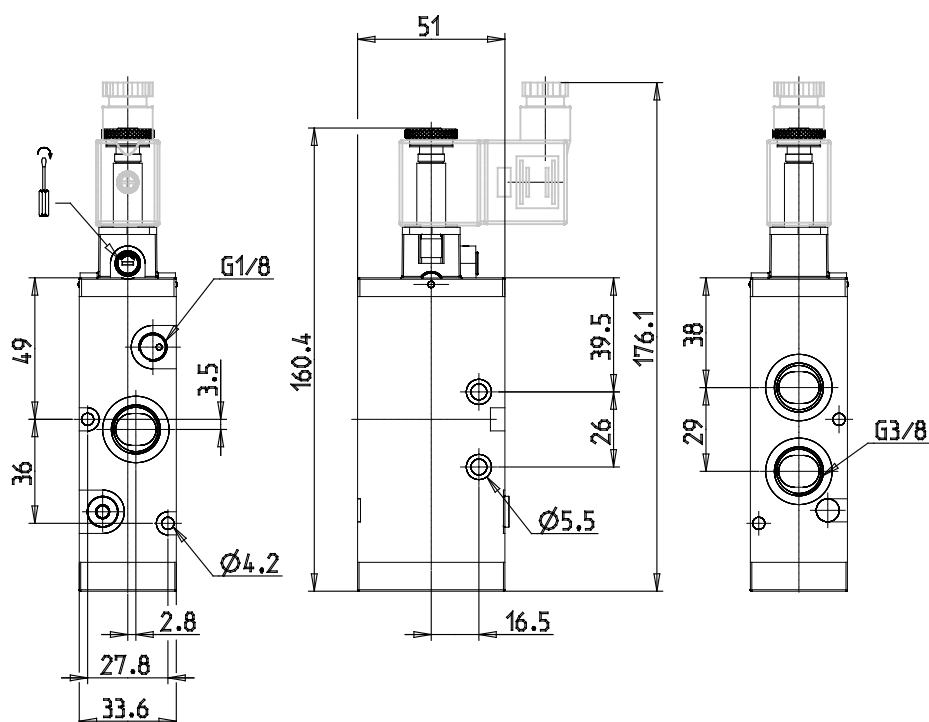


TECHNICAL DATA

Mod.	433-E15-22
Function	3/2
Flow rate (NI/min)	1800
Operating pressure (bar)	-0,9-10
Min. pilot pressure (bar)	2,5
Type of manual override	= bistable, standard
Dimensions of the solenoid	G7 = PA / 22 x 22
Solenoid voltage	7 = 24 V DC

3/2-way solenoid valve, G3/8, monostable - Series 4

Product code: 433-E15-22-G77



DIMENSIONS

Mod.	433-E15-22
Function	3/2
Flow rate (NI/min)	1800
Operating pressure (bar)	-0,9-10
Min. pilot pressure (bar)	2,5
Type of manual override	= bistable, standard
Dimensions of the solenoid	G7 = PA / 22 x 22
Solenoid voltage	7 = 24 V DC