

3/2-way solenoid valve, G1/4, monostable - Series 4

Product code: 434-015-22-U77

Datasheet creation date: 10/03/2025 11:58

Check the most updated document online [click here](#)

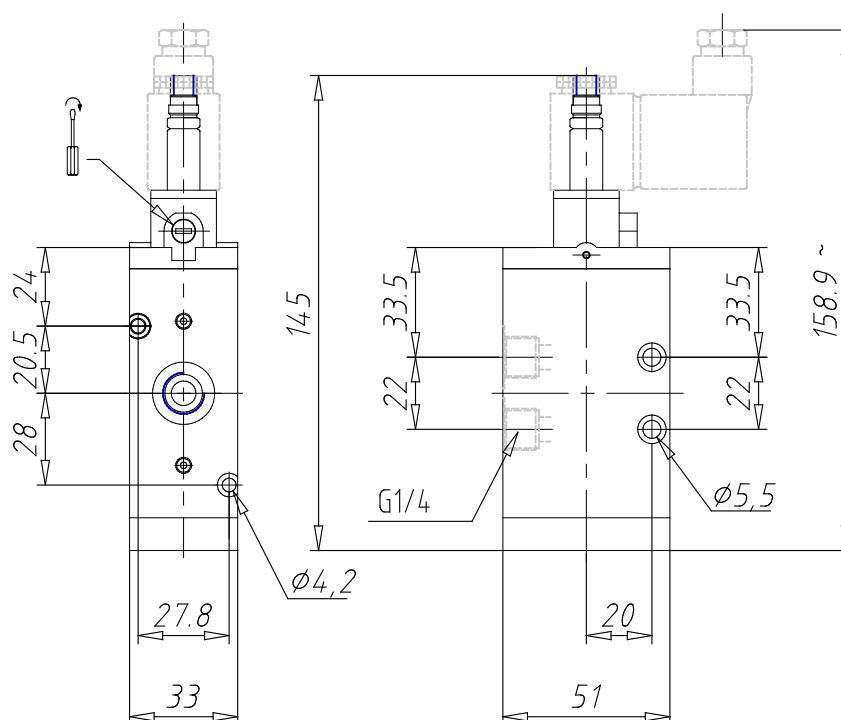


TECHNICAL DATA

Mod.	434-015-22
Function	3/2 NC
Flow rate (NI/min)	1250
Operating pressure	2.5 ÷ 10
Type of manual override	= bistable, standard
Dimensions of the solenoid	U7 = PET / 22 x 22
Solenoid voltage	7 = 24 V DC

3/2-way solenoid valve, G1/4, monostable - Series 4

Product code: 434-015-22-U77



DIMENSIONS

Mod.	434-015-22
Function	3/2 NC
Flow rate (NI/min)	1250
Operating pressure	2.5 ÷ 10
Type of manual override	= bistable, standard
Dimensions of the solenoid	U7 = PET / 22 x 22
Solenoid voltage	7 = 24 V DC