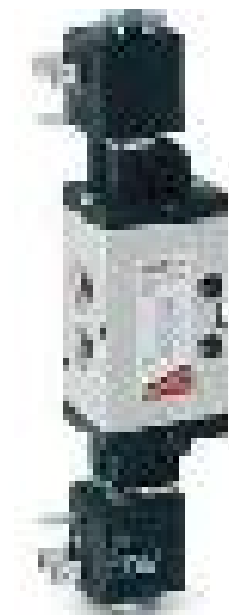


3/2-way solenoid valve G1/8, bistable - Series 4

Product code: 438-011-22IL

Datasheet creation date: 10/03/2025 12:00

Check the most updated document online [click here](#)

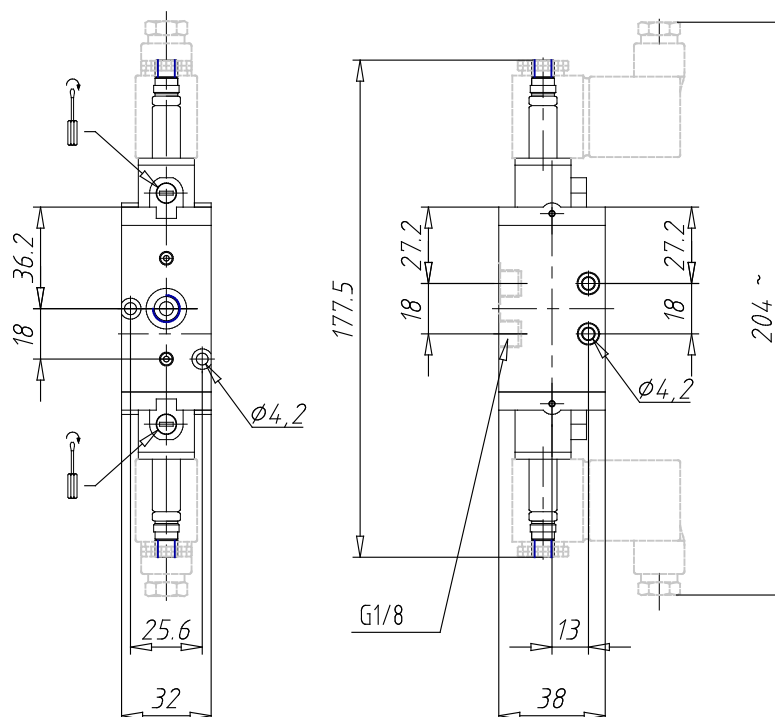


TECHNICAL DATA

Mod.	438-011-22
Function	3/2
Flow rate (NI/min)	650
Operating pressure	2.5 ÷ 10
Type of manual override	IL = bistable, lever type (available on demand)
Dimensions of the solenoid	No solenoid
Solenoid voltage	

3/2-way solenoid valve G1/8, bistable - Series 4

Product code: 438-011-22IL



DIMENSIONS

Mod.	438-011-22
Function	3/2
Flow rate (NI/min)	650
Operating pressure	2.5 ÷ 10
Type of manual override	IL = bistable, lever type (available on demand)
Dimensions of the solenoid	No solenoid
Solenoid voltage	