

Hydraulic brakes - Series 43

Product code: 43N-LTA-40-360

Datasheet creation date: 10/03/2025 00:33

Check the most updated document online [click here](#)

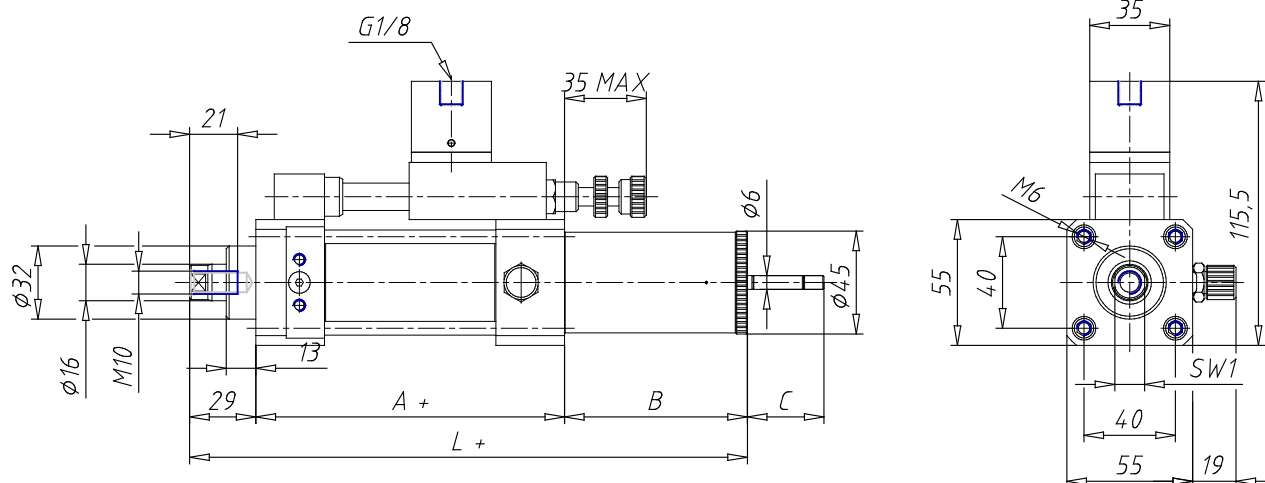


TECHNICAL DATA

| | |
|----------------------|-------------------------------------|
| Series | 43 |
| Diameter (mm) | 40 |
| Version | N = standard |
| Bowl | L = tank in series |
| Regulation | T = traction (rod thrust regulated) |
| Valve | A = SKIP valve |
| Stroke (mm) | 360 |

Hydraulic brakes - Series 43

Product code: 43N-LTA-40-360



DIMENSIONS

| | |
|-----------------|-----|
| A (mm) | 85 |
| B (mm) | 145 |
| C (mm) | 86 |
| L (mm) | 214 |
| SW1 (mm) | 13 |