

## Hydraulic brakes - Series 43

Product code: 43N-LTB-40-090

Datasheet creation date: 10/03/2025 00:33

Check the most updated document online [click here](#)

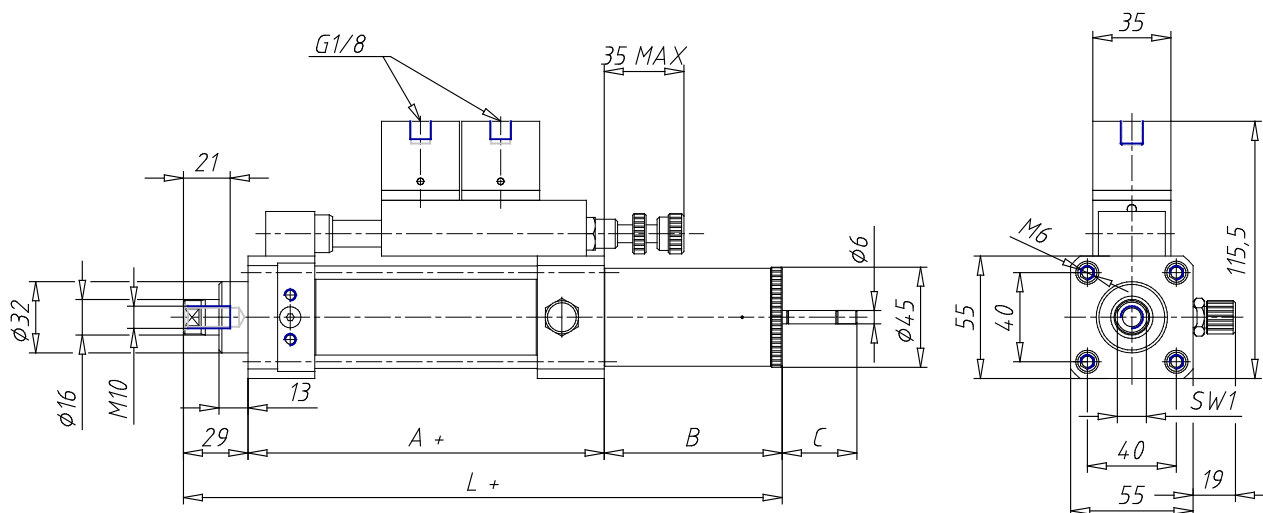


### TECHNICAL DATA

<b>Series</b>	43
<b>Diameter (mm)</b>	40
<b>Version</b>	N = standard
<b>Bowl</b>	L = tank in series
<b>Regulation</b>	T = traction (rod thrust regulated)
<b>Valve</b>	B = SKIP + STOP valve
<b>Stroke (mm)</b>	90

## Hydraulic brakes - Series 43

Product code: 43N-LTB-40-090



### DIMENSIONS

<b>A (mm)</b>	85
<b>B (mm)</b>	80
<b>C (mm)</b>	32
<b>L (mm)</b>	194
<b>SW1 (mm)</b>	13