

## Hydraulic brakes - Series 43

Product code: 43N-LTV-40-150

Datasheet creation date: 10/03/2025 00:33

Check the most updated document online [click here](#)

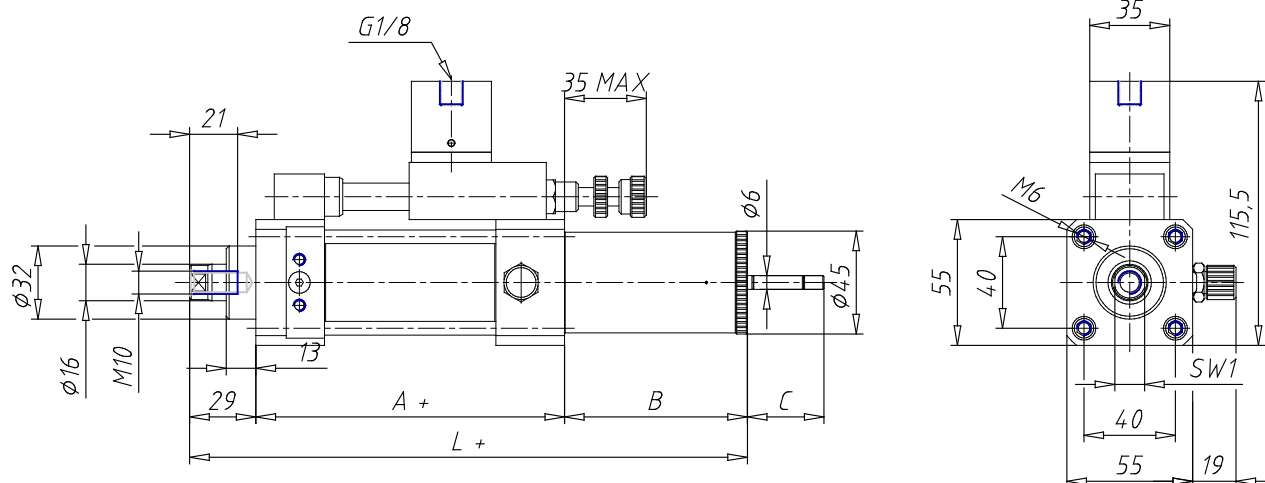


### TECHNICAL DATA

|                      |                                     |
|----------------------|-------------------------------------|
| <b>Series</b>        | 43                                  |
| <b>Diameter (mm)</b> | 40                                  |
| <b>Version</b>       | N = standard                        |
| <b>Bowl</b>          | L = tank in series                  |
| <b>Regulation</b>    | T = traction (rod thrust regulated) |
| <b>Valve</b>         | V = STOP valve                      |
| <b>Stroke (mm)</b>   | 150                                 |

## Hydraulic brakes - Series 43

Product code: 43N-LTV-40-150



### DIMENSIONS

|                 |     |
|-----------------|-----|
| <b>A (mm)</b>   | 85  |
| <b>B (mm)</b>   | 100 |
| <b>C (mm)</b>   | 47  |
| <b>L (mm)</b>   | 214 |
| <b>SW1 (mm)</b> | 13  |