

## Hydraulic brakes - Series 43

Product code: 43N-PS0-40-330

Datasheet creation date: 10/03/2025 00:34

Check the most updated document online [click here](#)

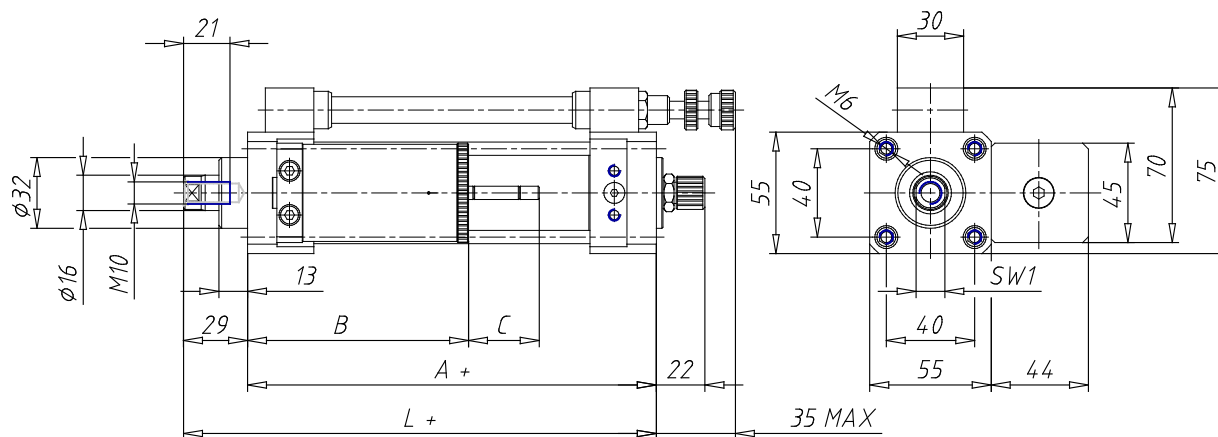


### TECHNICAL DATA

<b>Series</b>	43
<b>Diameter (mm)</b>	40
<b>Version</b>	N = standard
<b>Bowl</b>	P = tank parallel
<b>Regulation</b>	S = thrust (rod return regulated)
<b>Valve</b>	0 = standard
<b>Stroke (mm)</b>	330

## Hydraulic brakes - Series 43

Product code: 43N-PS0-40-330



### ■ DIMENSIONS

<b>A (mm)</b>	85
<b>B (mm)</b>	150
<b>C (mm)</b>	67
<b>L (mm)</b>	114
<b>SW1 (mm)</b>	13