

Hydraulic brakes - Series 43

Product code: 43N-PSB-40-150

Datasheet creation date: 10/03/2025 00:35

Check the most updated document online [click here](#)

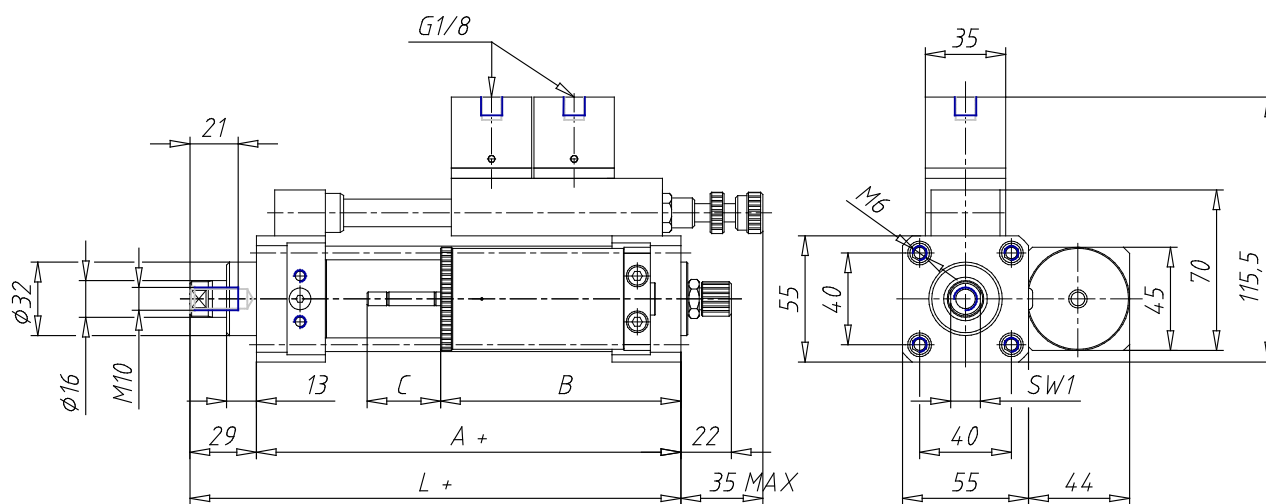


TECHNICAL DATA

Series	43
Diameter (mm)	40
Version	N = standard
Bowl	P = tank parallel
Regulation	S = thrust (rod return regulated)
Valve	B = SKIP + STOP valve
Stroke (mm)	150

Hydraulic brakes - Series 43

Product code: 43N-PSB-40-150



DIMENSIONS

A (mm)	85
B (mm)	125
C (mm)	47
L (mm)	114
SW1 (mm)	13