

## Hydraulic brakes - Series 43

Product code: 43N-PSB-40-160

Datasheet creation date: 10/03/2025 00:35

Check the most updated document online [click here](#)

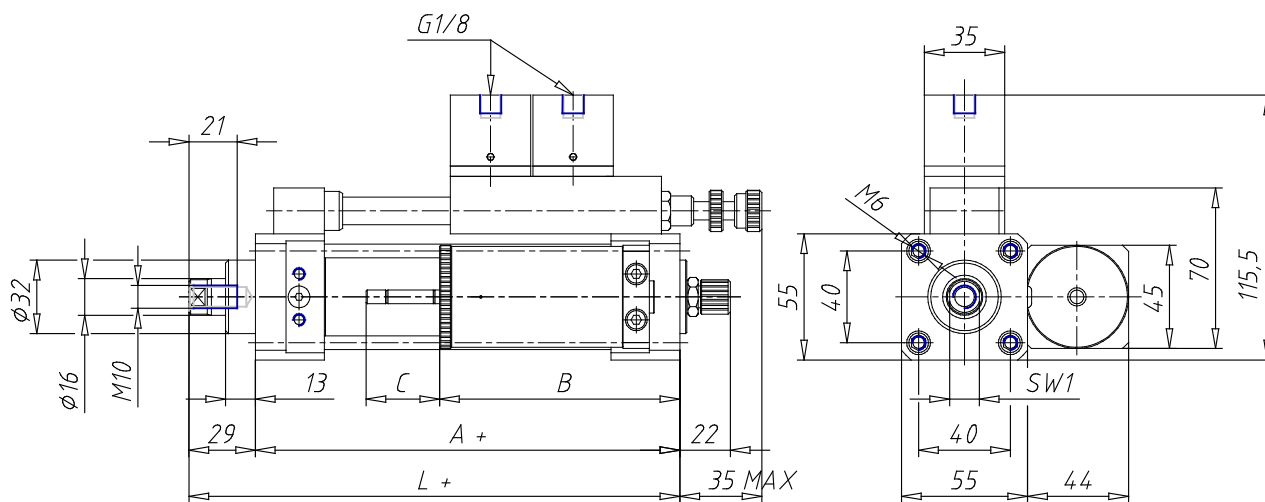


### TECHNICAL DATA

|                      |                                   |
|----------------------|-----------------------------------|
| <b>Series</b>        | 43                                |
| <b>Diameter (mm)</b> | 40                                |
| <b>Version</b>       | N = standard                      |
| <b>Bowl</b>          | P = tank parallel                 |
| <b>Regulation</b>    | S = thrust (rod return regulated) |
| <b>Valve</b>         | B = SKIP + STOP valve             |
| <b>Stroke (mm)</b>   | 160                               |

## Hydraulic brakes - Series 43

Product code: 43N-PSB-40-160



### DIMENSIONS

|                 |     |
|-----------------|-----|
| <b>A (mm)</b>   | 85  |
| <b>B (mm)</b>   | 125 |
| <b>C (mm)</b>   | 47  |
| <b>L (mm)</b>   | 114 |
| <b>SW1 (mm)</b> | 13  |