

## 3/2-way solenoid valve, G3/8, monostable - Series 4

Product code: 443-015-22

Datasheet creation date: 10/03/2025 11:50

Check the most updated document online [click here](#)

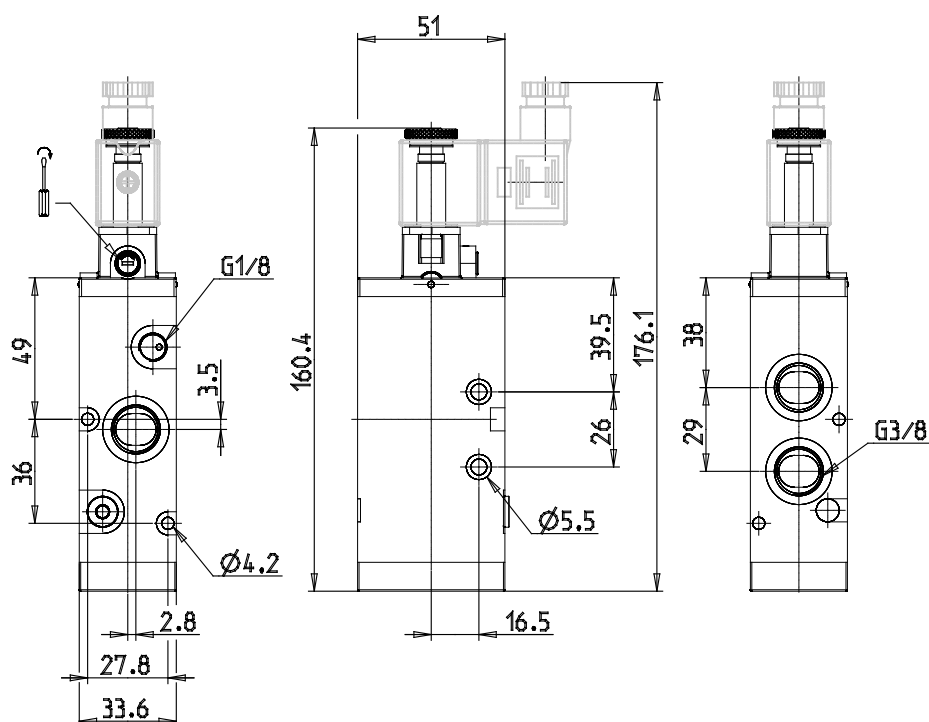


### TECHNICAL DATA

<b>Mod.</b>	443-015-22
<b>Function</b>	3/2NO
<b>Flow rate (NI/min)</b>	1800
<b>Operating pressure (bar)</b>	2,5-10
<b>Min. pilot pressure (bar)</b>	-
<b>Type of manual override</b>	= bistable, standard
<b>Dimensions of the solenoid</b>	No solenoid
<b>Solenoid voltage</b>	

## 3/2-way solenoid valve, G3/8, monostable - Series 4

Product code: 443-015-22



### DIMENSIONS

<b>Mod.</b>	443-015-22
<b>Function</b>	3/2NO
<b>Flow rate (NI/min)</b>	1800
<b>Operating pressure (bar)</b>	2,5-10
<b>Min. pilot pressure (bar)</b>	-
<b>Type of manual override</b>	= bistable, standard
<b>Dimensions of the solenoid</b>	No solenoid
<b>Solenoid voltage</b>	