

3/2-way solenoid valve, G3/8, monostable - Series 4

Product code: 443-016-22

Datasheet creation date: 10/03/2025 11:50

Check the most updated document online [click here](#)

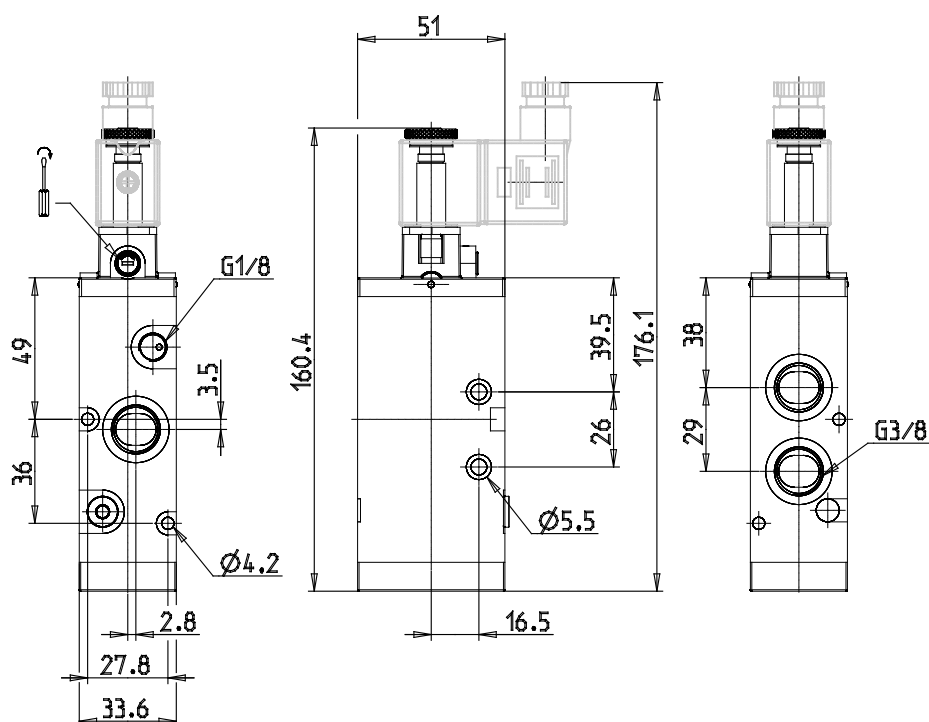


TECHNICAL DATA

Mod.	443-016-22
Function	3/2NO
Flow rate (NI/min)	1800
Operating pressure (bar)	2,5-10
Min. pilot pressure (bar)	-
Type of manual override	= bistable, standard
Dimensions of the solenoid	No solenoid
Solenoid voltage	

3/2-way solenoid valve, G3/8, monostable - Series 4

Product code: 443-016-22



DIMENSIONS

Mod.	443-016-22
Function	3/2NO
Flow rate (NI/min)	1800
Operating pressure (bar)	2,5-10
Min. pilot pressure (bar)	-
Type of manual override	= bistable, standard
Dimensions of the solenoid	No solenoid
Solenoid voltage	