

## 3/2-way solenoid valve, G1/4, monostable - Series 4

Product code: 444-015-22-G77

Datasheet creation date: 10/03/2025 11:58

Check the most updated document online [click here](#)

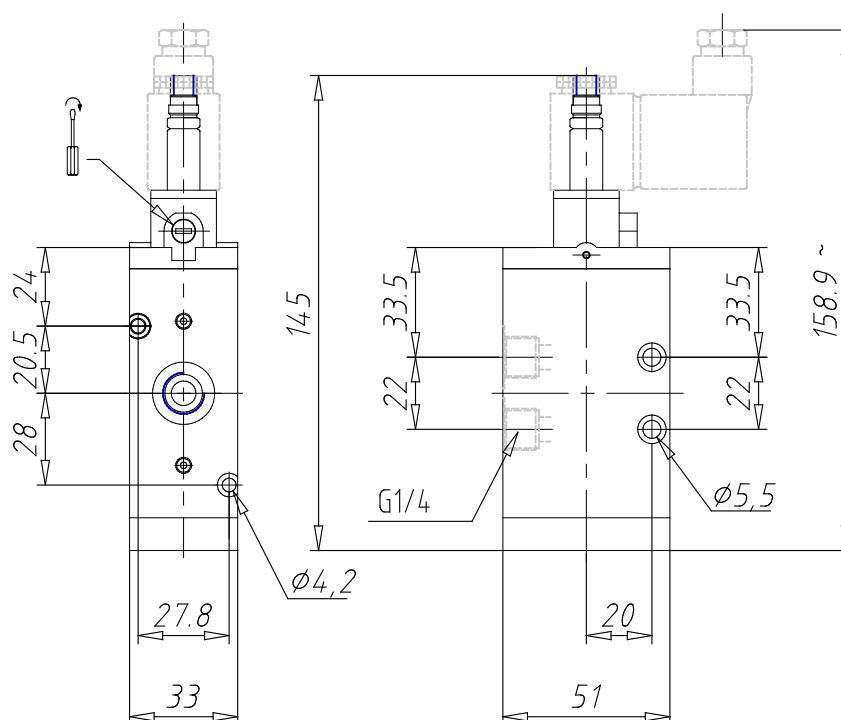


### TECHNICAL DATA

<b>Mod.</b>	444-015-22
<b>Function</b>	3/2 NO
<b>Flow rate (NI/min)</b>	1250
<b>Operating pressure</b>	2.5 ÷ 10
<b>Type of manual override</b>	= bistable, standard
<b>Dimensions of the solenoid</b>	G7 = PA / 22 x 22
<b>Solenoid voltage</b>	7 = 24 V DC

## 3/2-way solenoid valve, G1/4, monostable - Series 4

Product code: 444-015-22-G77



### DIMENSIONS

<b>Mod.</b>	444-015-22
<b>Function</b>	3/2 NO
<b>Flow rate (NI/min)</b>	1250
<b>Operating pressure</b>	2.5 ÷ 10
<b>Type of manual override</b>	= bistable, standard
<b>Dimensions of the solenoid</b>	G7 = PA / 22 x 22
<b>Solenoid voltage</b>	7 = 24 V DC