

## 5/2-way solenoid valve, G3/8, monostable - Series 4

Product code: 453-016-22

Datasheet creation date: 10/03/2025 11:51

Check the most updated document online [click here](#)

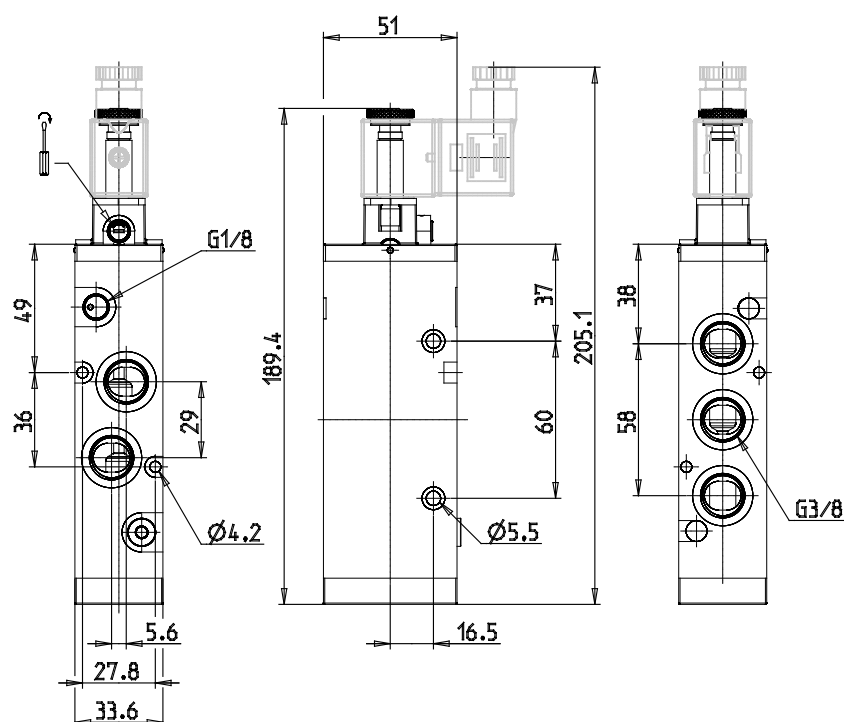


### TECHNICAL DATA

<b>Mod.</b>	453-016-22
<b>Function</b>	5/2
<b>Flow rate (NI/min)</b>	1800
<b>Operating pressure (bar)</b>	2,5-10
<b>Min. pilot pressure (bar)</b>	-

## 5/2-way solenoid valve, G3/8, monostable - Series 4

Product code: 453-016-22



### DIMENSIONS

<b>Mod.</b>	453-016-22
<b>Function</b>	5/2
<b>Flow rate (NI/min)</b>	1800
<b>Operating pressure (bar)</b>	2,5-10
<b>Min. pilot pressure (bar)</b>	-