

5/2-way solenoid valve, G3/8, monostable - Series 4

Product code: 453-E15-22

Datasheet creation date: 10/03/2025 11:51

Check the most updated document online [click here](#)

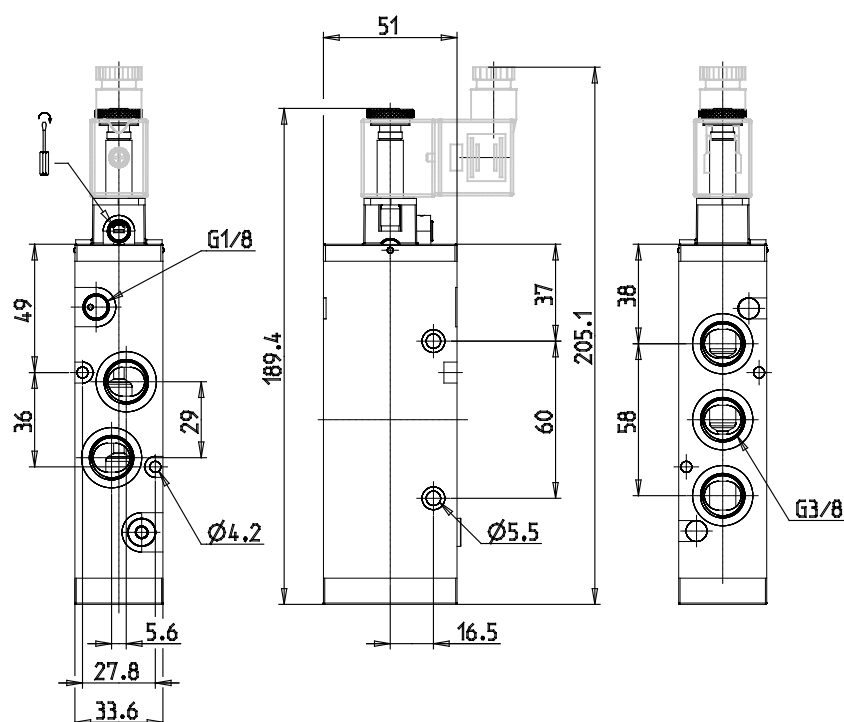


TECHNICAL DATA

Mod.	453-E15-22
Function	5/2
Flow rate (NI/min)	1800
Operating pressure (bar)	-0,9-10
Min. pilot pressure (bar)	2,5

5/2-way solenoid valve, G3/8, monostable - Series 4

Product code: 453-E15-22



DIMENSIONS

Mod.	453-E15-22
Function	5/2
Flow rate (NI/min)	1800
Operating pressure (bar)	-0,9-10
Min. pilot pressure (bar)	2,5