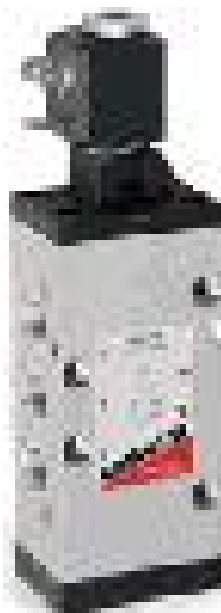


5/2-way solenoid valve, G1/4, monostable - Series 4

Product code: 454-015-22-U73

Datasheet creation date: 10/03/2025 11:59

Check the most updated document online [click here](#)

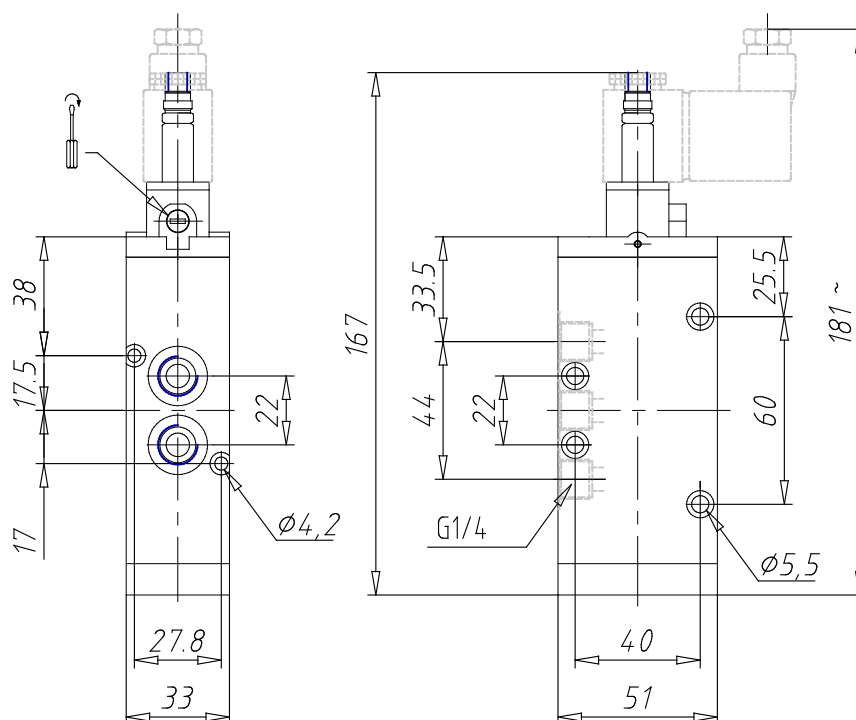


TECHNICAL DATA

| | |
|-----------------------------------|----------------------|
| Mod. | 454-015-22 |
| Function | 5/2 |
| Flow rate (NI/min) | 1250 |
| Operating pressure | 2.5 ÷ 10 |
| Type of manual override | = bistable, standard |
| Dimensions of the solenoid | U7 = PET / 22 x 22 |
| Solenoid voltage | 3 = 24 V DC |

5/2-way solenoid valve, G1/4, monostable - Series 4

Product code: 454-015-22-U73



DIMENSIONS

| | |
|-----------------------------------|----------------------|
| Mod. | 454-015-22 |
| Function | 5/2 |
| Flow rate (NI/min) | 1250 |
| Operating pressure | 2.5 ÷ 10 |
| Type of manual override | = bistable, standard |
| Dimensions of the solenoid | U7 = PET / 22 x 22 |
| Solenoid voltage | 3 = 24 V DC |