

Anti-rotation guide units - Series 45

Product code: 45NHB025A0140

Datasheet creation date: 10/03/2025 02:17

Check the most updated document online [click here](#)

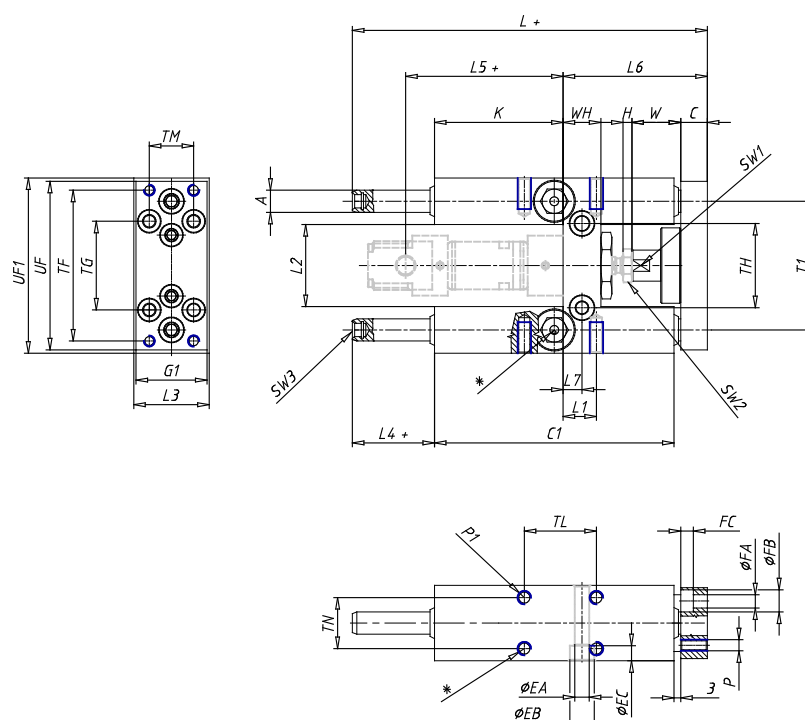


TECHNICAL DATA

| | |
|----------------------|---|
| Series | 45 |
| Diameter (mm) | 25 |
| Version | N = standard |
| Operation | HB = "H" ball guide |
| Materials | A = anodized aluminium body, hardened steel columns C50 |
| Stroke (mm) | 140 |

Anti-rotation guide units - Series 45

Product code: 45NHB025A0140



DIMENSIONS

| | |
|----------|-------|
| TF (mm) | 68 |
| TG (mm) | 40.0 |
| TH (mm) | 38.0 |
| TI (mm) | 58 |
| TM (mm) | 20 |
| TL (mm) | 32.5 |
| TN (mm) | 23 |
| UF1 (mm) | 79 |
| UF (mm) | 76 |
| G1 (mm) | 32 |
| A (mm) | 10 |
| WH (mm) | 17 |
| C1 (mm) | 108 |
| H (mm) | 6 |
| W (mm) | 17 |
| C (mm) | 12 |
| K (mm) | 58 |
| L (mm) | 160.0 |
| L1 (mm) | 15 |
| L2 (mm) | 37.0 |
| L3 (mm) | 34 |
| L4 (mm) | 37 |
| L5 (mm) | 76.0 |

| | |
|----------|------|
| L6 (mm) | 65.0 |
| L7 (mm) | 8.5 |
| L8 (mm) | 0 |
| P | M5 |
| P1 | M6 |
| T (mm) | 14 |
| EA (mm) | 6.5 |
| EB (mm) | 11 |
| EC (mm) | 6.8 |
| FA (mm) | 5.5 |
| FB (mm) | 10.0 |
| FC (mm) | 5.7 |
| SW1 (mm) | 13 |
| SW2 (mm) | 17 |
| SW3 (mm) | 4 |