

5/3-way open-centre valve, G1/4 port, monostable, with central stable position - Series 4

Product code: 474-33

Datasheet creation date: 10/03/2025 12:00

Check the most updated document online [click here](#)

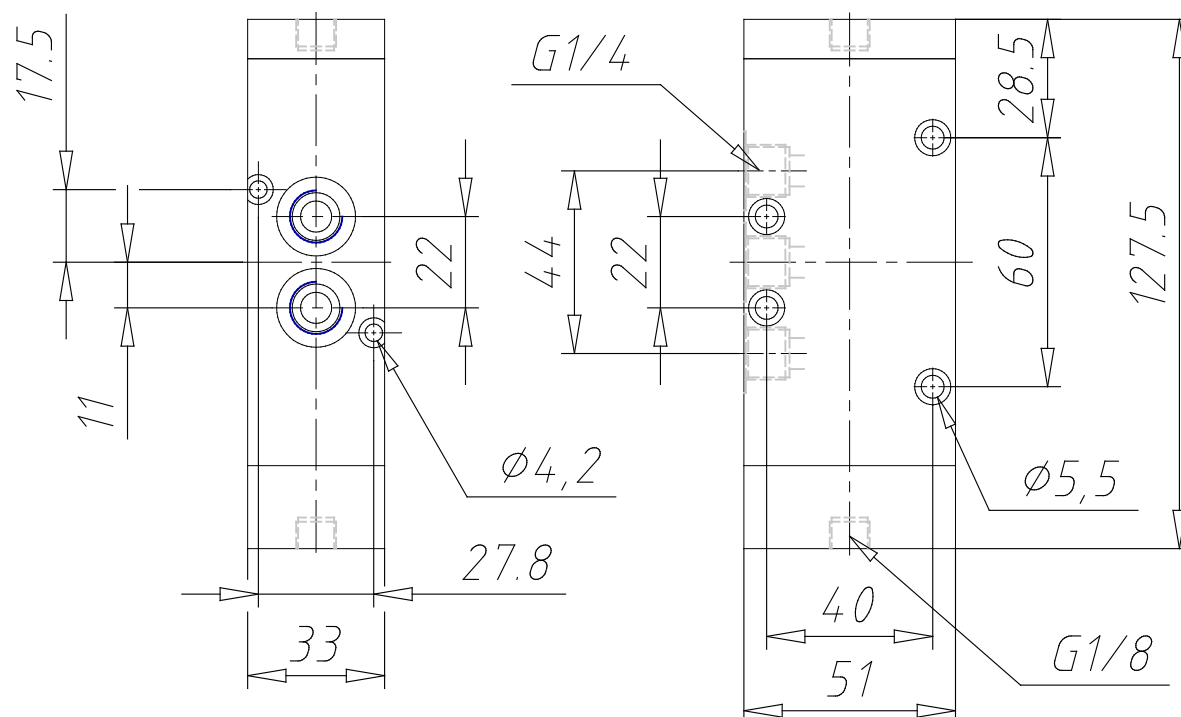


TECHNICAL DATA

Mod.	474-33
Mounting	Without base/conv.
Function	5/3 CP
Flow rate	1250
P. min pilot. (bar)	2.5

5/3-way open-centre valve, G1/4 port, monostable, with central stable position - Series 4

Product code: 474-33



DIMENSIONS

Mod.	474-33
Mounting	Without base/conv.
Function	5/3 CP
Flow rate	1250
P. min pilot. (bar)	2.5