

## Mod. 5053L-5053LT - Series 5000L and 5000LT Quick-release couplings

Product code: 5053L 1/4

Datasheet creation date: 10/03/2025 01:50

Check the most updated document online [click here](#)

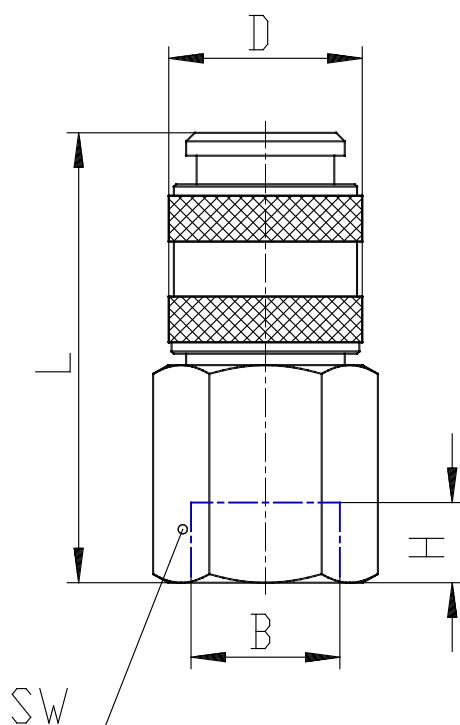


### ■ TECHNICAL DATA

Mod.	5053L 1/4
------	-----------

## Mod. 5053L-5053LT - Series 5000L and 5000LT Quick-release couplings

Product code: 5053L 1/4



### DIMENSIONS

<b>B</b>	G1/4
<b>D (mm)</b>	17
<b>H (mm)</b>	7
<b>L (mm)</b>	39
<b>SW (mm)</b>	17