

Mod. 5053L-5053LT - Series 5000L and 5000LT Quick-release couplings

Product code: 5053L 1/8

Datasheet creation date: 10/03/2025 01:50

Check the most updated document online [click here](#)

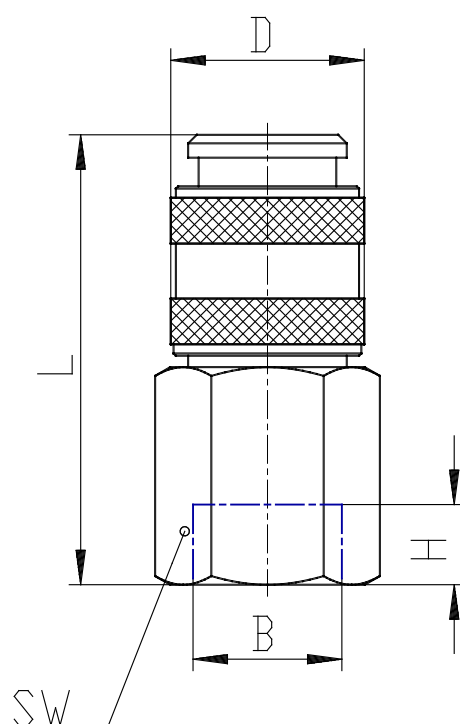


■ TECHNICAL DATA

Mod.	5053L 1/8
------	-----------

Mod. 5053L-5053LT - Series 5000L and 5000LT Quick-release couplings

Product code: 5053L 1/8



DIMENSIONS

B	G1/8
D (mm)	17
H (mm)	6
L (mm)	37
SW (mm)	14