

## Mod. 5053L-5053LT - Series 5000L and 5000LT Quick-release couplings

Product code: 5053LT 1/8

Datasheet creation date: 10/03/2025 01:50

Check the most updated document online [click here](#)

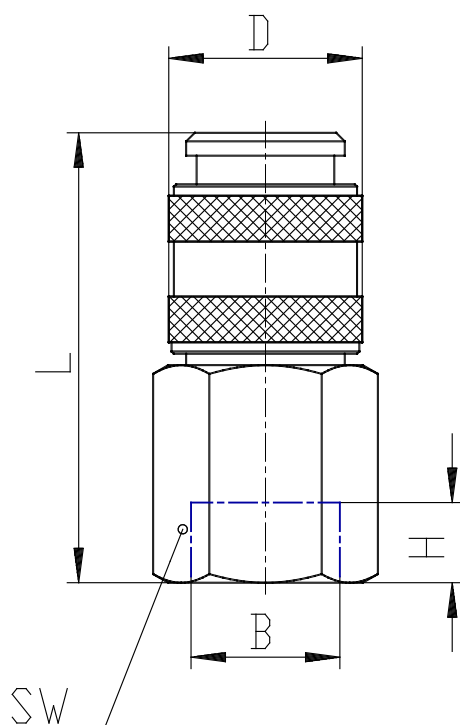


### TECHNICAL DATA

Mod.	5053LT 1/8
------	------------

## Mod. 5053L-5053LT - Series 5000L and 5000LT Quick-release couplings

Product code: 5053LT 1/8



### DIMENSIONS

<b>B</b>	G1/8
<b>D (mm)</b>	17
<b>H (mm)</b>	6
<b>L (mm)</b>	37
<b>SW (mm)</b>	14