

## Rodless cylinders - Series 50

Product code: 50M2U16A0380

Datasheet creation date: 08/03/2025 11:25

Check the most updated document online [click here](#)

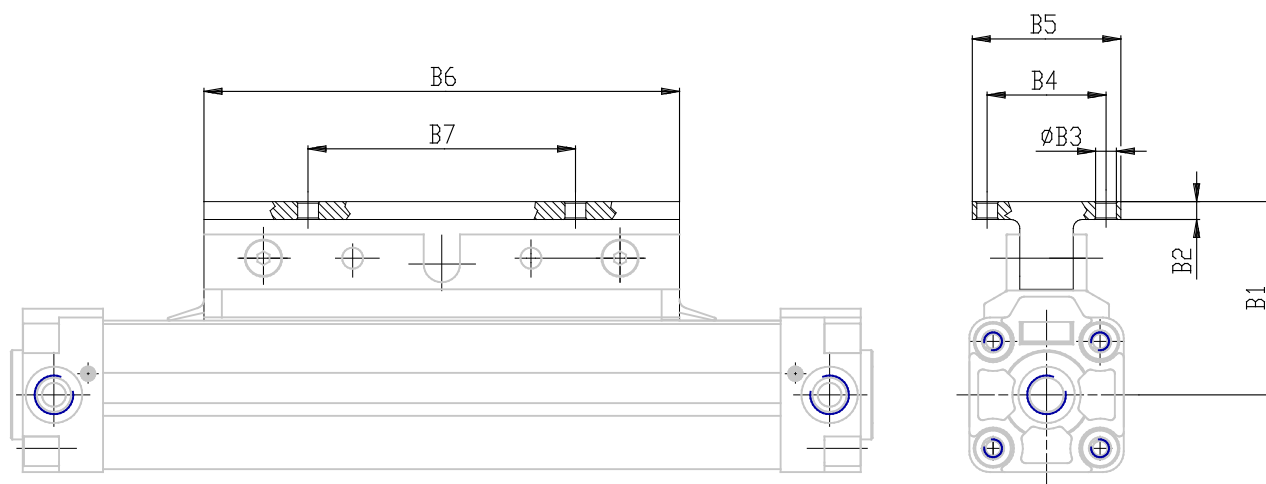


### TECHNICAL DATA

|                          |  |
|--------------------------|--|
| <b>Series</b>            | 50   |
| <b>Version</b>           | M = magnetic standard  |
| <b>Operation</b>         | 2 = double-acting cushioned  |
| <b>Materials</b>         | U = anodized AL profile tube, NBR and Polyurethane seals, flange type carriage |
| <b>Diameter (mm)</b>     | 16   |
| <b>Construction (mm)</b> | A = standard   |
| <b>Stroke (mm)</b>       | 380  |

## Rodless cylinders - Series 50

Product code: 50M2U16A0380



### DIMENSIONS

|         |      |
|---------|------|
| A (mm)  | 5    |
| B (mm)  | 32   |
| C (mm)  | 48   |
| D (mm)  | 64   |
| E (mm)  | 76   |
| F       | M4   |
| F1 (mm) | 8    |
| G (mm)  | 6    |
| H (mm)  | 2.0  |
| I (mm)  | M5   |
| L (mm)  | 5.3  |
| L1 (mm) | 100  |
| M (mm)  | 16   |
| N (mm)  | 15   |
| P (mm)  | M3   |
| P1 (mm) | 3    |
| Q (mm)  | 8.0  |
| R (mm)  | 42.5 |
| S (mm)  | 28.0 |
| S1 (mm) | 27   |
| T (mm)  | 13.5 |
| U (mm)  | 10   |
| V (mm)  | 18   |

|          |      |
|----------|------|
| Z (mm)   | 24   |
| Y (mm)   | 24.5 |
| W (mm)   | 27   |
| AA (mm)  | 29   |
| BB (mm)  | 30   |
| TG (mm)  | 18   |
| SW2 (mm) | 4    |
| B1 (mm)  | 36   |
| B2 (mm)  | 4    |
| B3 (mm)  | 4.5  |
| B4 (mm)  | 25   |
| B5 (mm)  | 40   |
| B6 (mm)  | 76   |
| B7 (mm)  | 50   |