

## Rodless cylinders - Series 50

Product code: 50M2U40A0550

Datasheet creation date: 08/03/2025 11:29

Check the most updated document online [click here](#)

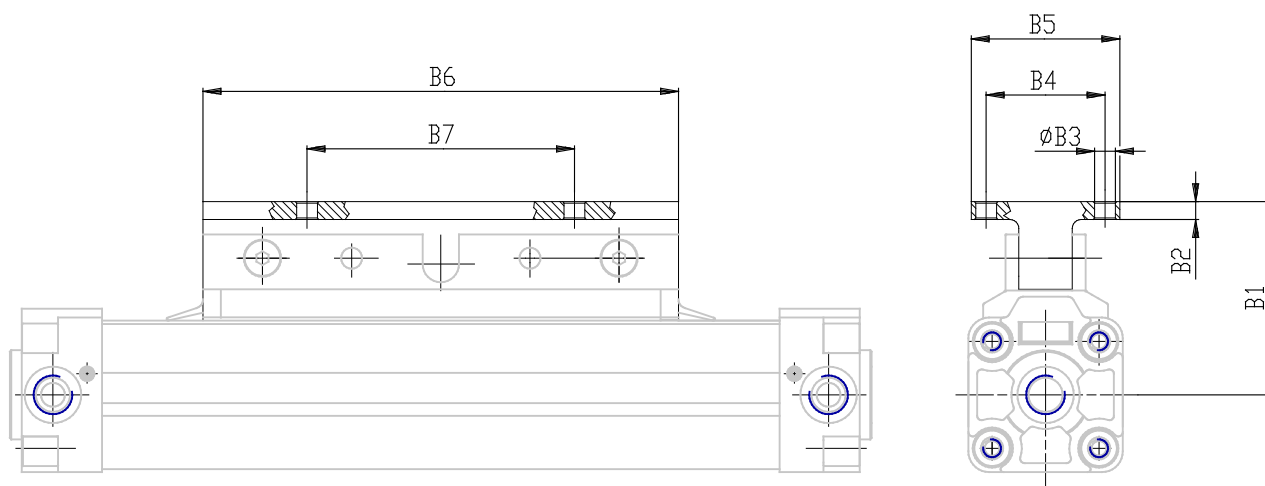


### TECHNICAL DATA

<b>Series</b>	50
<b>Version</b>	M = magnetic standard
<b>Operation</b>	2 = double-acting cushioned
<b>Materials</b>	U = anodized AL profile tube, NBR and Polyurethane seals, flange type carriage
<b>Diameter (mm)</b>	40
<b>Construction (mm)</b>	A = standard
<b>Stroke (mm)</b>	550

## Rodless cylinders - Series 50

Product code: 50M2U40A0550



### DIMENSIONS

<b>A (mm)</b>	12
<b>B (mm)</b>	55
<b>C (mm)</b>	90
<b>D (mm)</b>	110
<b>E (mm)</b>	150
<b>F</b>	M6
<b>F1 (mm)</b>	12
<b>G (mm)</b>	12
<b>H (mm)</b>	4.0
<b>I (mm)</b>	G1/4
<b>L (mm)</b>	17.5
<b>L1 (mm)</b>	226
<b>M (mm)</b>	35
<b>N (mm)</b>	37
<b>P (mm)</b>	M6
<b>P1 (mm)</b>	6
<b>Q (mm)</b>	15.0
<b>R (mm)</b>	88.5
<b>S (mm)</b>	63.0
<b>S1 (mm)</b>	63
<b>T (mm)</b>	31.5
<b>U (mm)</b>	18
<b>V (mm)</b>	28

<b>Z (mm)</b>	49
<b>Y (mm)</b>	51.0
<b>W (mm)</b>	75
<b>AA (mm)</b>	57
<b>BB (mm)</b>	61
<b>TG (mm)</b>	43
<b>SW2 (mm)</b>	6
<b>B1 (mm)</b>	66
<b>B2 (mm)</b>	6
<b>B3 (mm)</b>	7.0
<b>B4 (mm)</b>	45
<b>B5 (mm)</b>	60
<b>B6 (mm)</b>	150
<b>B7 (mm)</b>	80