

## Belt electromechanical axis - Series 5E-TBL

Product code: 5ES050TBL0360AS1

Datasheet creation date: 07/03/2025 16:27

Check the most updated document online [click here](#)

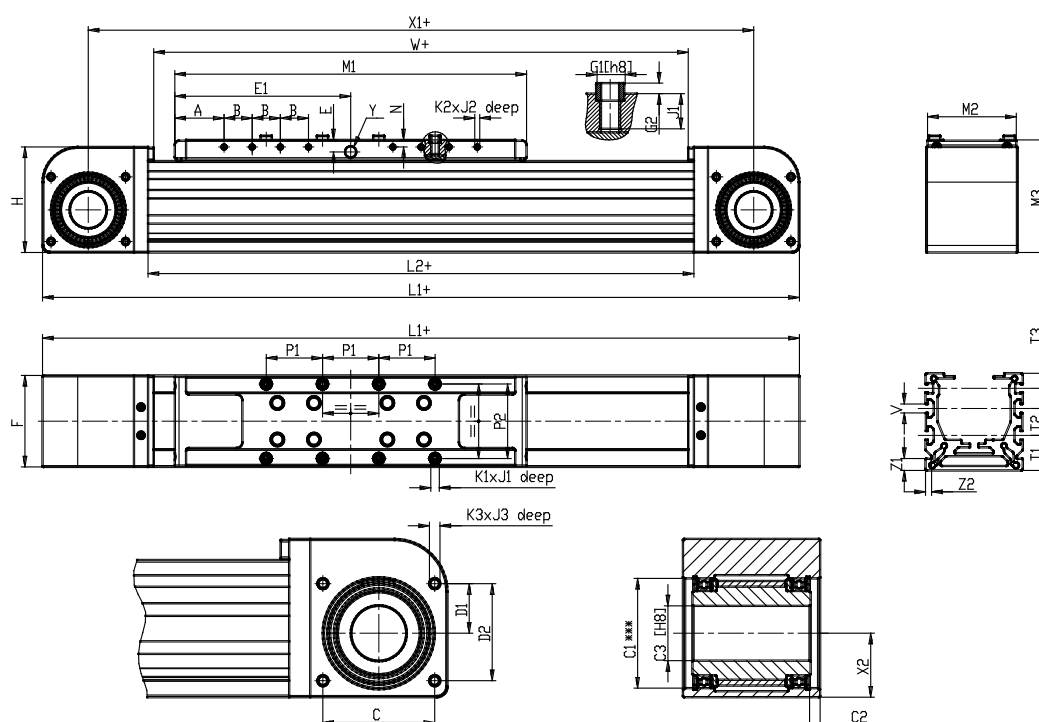


### TECHNICAL DATA

|  |                    |
|--|--------------------|
| <b>SERIE (Series)</b>                    | 5E                 |
| <b>PROFILO (Profile)</b>                 | S = square section |
| <b>TAGLIA (Size)</b>                     | 050                |
| <b>TRASMISSIONE (Transmission)</b>       | TBL = toothed belt |
| <b>VERSIONE (Version)</b>                | A= standard axis   |
| <b>TIPOCURSORE (Type of slider)</b>      | S= standard        |
| <b>NUMEROCURSORI (Number of sliders)</b> | 1= 1 slider        |
| <b>CL (CL / mm)</b>                      | 0                  |
| <b>CORSA (Stroke)</b>                    | 360                |

## Belt electromechanical axis - Series 5E-TBL

Product code: 5ES050TBL0360AS1



### DIMENSIONS

|                       |       |
|-----------------------|-------|
| <b>A (A / mm)</b>     | 32.5  |
| <b>B (B / mm)</b>     | 15    |
| <b>C (C / mm)</b>     | 37    |
| <b>C1 (C1 / mm)</b>   | 37    |
| <b>C2 (C2 / mm)</b>   | 4.5   |
| <b>C3 (C3 / mm)</b>   | 20    |
| <b>C4 (C4 / mm)</b>   | 25    |
| <b>C5 (C5 / mm)</b>   | 46    |
| <b>D1 (D1 / mm)</b>   | 17.0  |
| <b>D2 (D2 / mm)</b>   | 32.0  |
| <b>E (E / mm)</b>     | 8.5   |
| <b>E1 (E1 / mm)</b>   | 100.0 |
| <b>E2 (E2 / mm)</b>   | 62    |
| <b>F (F / mm)</b>     | 50    |
| <b>F4 (F4 / mm)</b>   | 2     |
| <b>G1 (Ø G1 / mm)</b> | 6     |
| <b>G2 (G2 / mm)</b>   | 2     |
| <b>H (H / mm)</b>     | 60    |
| <b>L1 (L1 / mm)</b>   | 354   |
| <b>L2 (L2 / mm)</b>   | 238   |
| <b>M1 (M1 / mm)</b>   | 200   |
| <b>M2 (M2 / mm)</b>   | 48    |
| <b>M3 (M3 / mm)</b>   | 65    |

|                     |      |
|---------------------|------|
| <b>M4 (M4 / mm)</b> | 180  |
| <b>N (N / mm)</b>   | 5    |
| <b>P1 (P1 / mm)</b> | 30   |
| <b>P2 (P2 / mm)</b> | 40   |
| <b>P3 (P3 / mm)</b> | 23   |
| <b>P4 (P4 / mm)</b> | 20.0 |
| <b>K1 (K1 / mm)</b> | M4   |
| <b>J1 (J1 / mm)</b> | 7    |
| <b>K2 (K2 / mm)</b> | M3   |
| <b>J2 (J2 / mm)</b> | 5.0  |
| <b>K3 (K3 / mm)</b> | M4   |
| <b>J3 (J3 / mm)</b> | 8    |
| <b>T1 (T1 / mm)</b> | 20.0 |
| <b>T2 (T2 / mm)</b> | 0.0  |
| <b>T3 (T3 / mm)</b> | 10   |
| <b>V (V / mm)</b>   | 6    |
| <b>Y (Y)</b>        | **   |
| <b>X1 (X1 / mm)</b> | 304  |
| <b>X2 (X2 / mm)</b> | 21.8 |
| <b>W (W / mm)</b>   | 230  |
| <b>Z1 (Z1 / mm)</b> | 8    |
| <b>Z2 (Z2 / mm)</b> | 4    |
| <b>U (U / mm)</b>   | 21.8 |