

Belt electromechanical axis - Series 5E-TBL

Product code: 5ES065TBL1900HS1

Datasheet creation date: 07/03/2025 16:39

Check the most updated document online [click here](#)

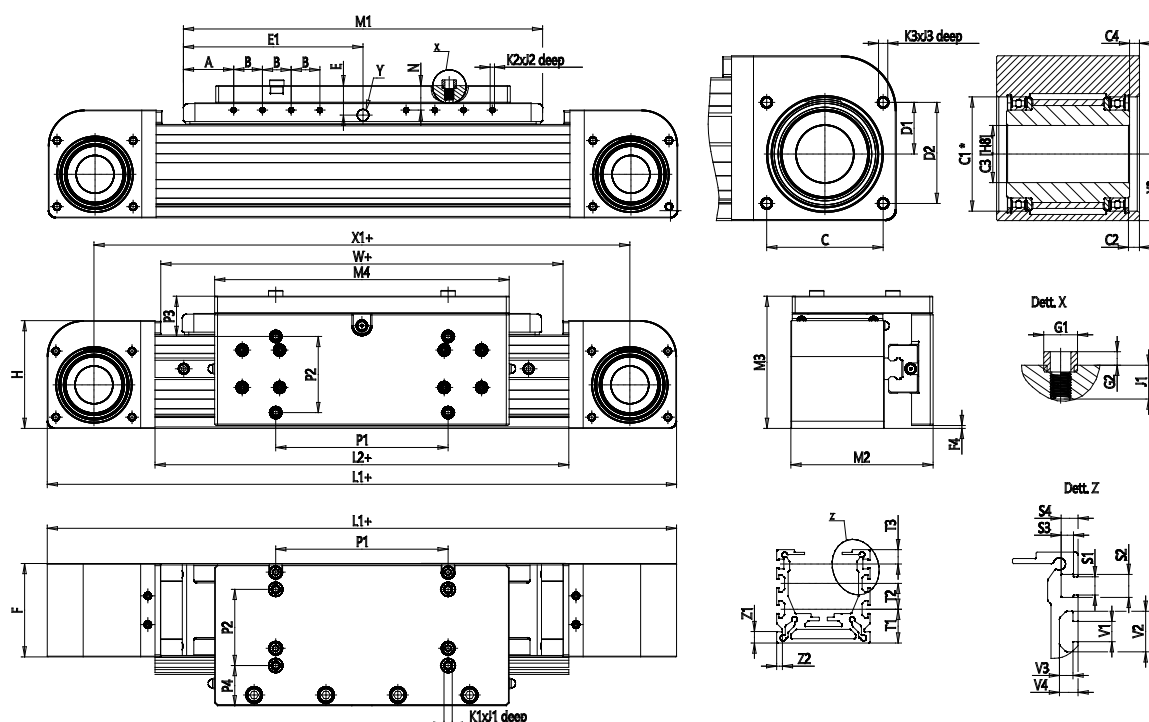


TECHNICAL DATA

| | |
|--|--------------------|
| SERIE (Series) | 5E |
| PROFILO (Profile) | S = square section |
| TAGLIA (Size) | 065 |
| TRASMISSIONE (Transmission) | TBL = toothed belt |
| VERSIONE (Version) | H= reinforced axis |
| TIPOCURSORE (Type of slider) | S= standard |
| NUMEROCURSORI (Number of sliders) | 1= 1 slider |
| CL (CL / mm) | 0 |
| CORSA (Stroke) | 1900 |

Belt electromechanical axis - Series 5E-TBL

Product code: 5ES065TBL1900HS1



DIMENSIONS

| | |
|-----------------------|-------|
| A (A / mm) | 35.0 |
| B (B / mm) | 20 |
| C (C / mm) | 53 |
| C1 (C1 / mm) | 52 |
| C2 (C2 / mm) | 5.0 |
| C3 (C3 / mm) | 26 |
| C4 (C4 / mm) | 40 |
| C5 (C5 / mm) | 56 |
| D1 (D1 / mm) | 23.5 |
| D2 (D2 / mm) | 46.0 |
| E (E / mm) | 8.5 |
| E1 (E1 / mm) | 125.0 |
| E2 (E2 / mm) | 78 |
| F (F / mm) | 65 |
| F4 (F4 / mm) | 2 |
| G1 (Ø G1 / mm) | 8 |
| G2 (G2 / mm) | 3 |
| H (H / mm) | 75 |
| L1 (L1 / mm) | 438 |
| L2 (L2 / mm) | 288 |
| M1 (M1 / mm) | 250 |
| M2 (M2 / mm) | 99 |
| M3 (M3 / mm) | 92 |

| | |
|---------------------|------|
| M4 (M4 / mm) | 205 |
| N (N / mm) | 5 |
| P1 (P1 / mm) | 120 |
| P2 (P2 / mm) | 53 |
| P3 (P3 / mm) | 28 |
| P4 (P4 / mm) | 28.0 |
| K1 (K1 / mm) | M5 |
| J1 (J1 / mm) | 8 |
| K2 (K2 / mm) | M3 |
| J2 (J2 / mm) | 6.0 |
| K3 (K3 / mm) | M5 |
| J3 (J3 / mm) | 10 |
| T1 (T1 / mm) | 23.5 |
| T2 (T2 / mm) | 18.0 |
| T3 (T3 / mm) | 10 |
| V (V / mm) | 6 |
| Y (Y) | ** |
| X1 (X1 / mm) | 373 |
| X2 (X2 / mm) | 30.5 |
| W (W / mm) | 280 |
| Z1 (Z1 / mm) | 8 |
| Z2 (Z2 / mm) | 4 |
| U (U / mm) | 30.3 |