

## Ball screw electromechanical axis - Series 5E-SBS

Product code: 5ES080BS05P1200AS1

Datasheet creation date: 07/03/2025 16:52

Check the most updated document online [click here](#)

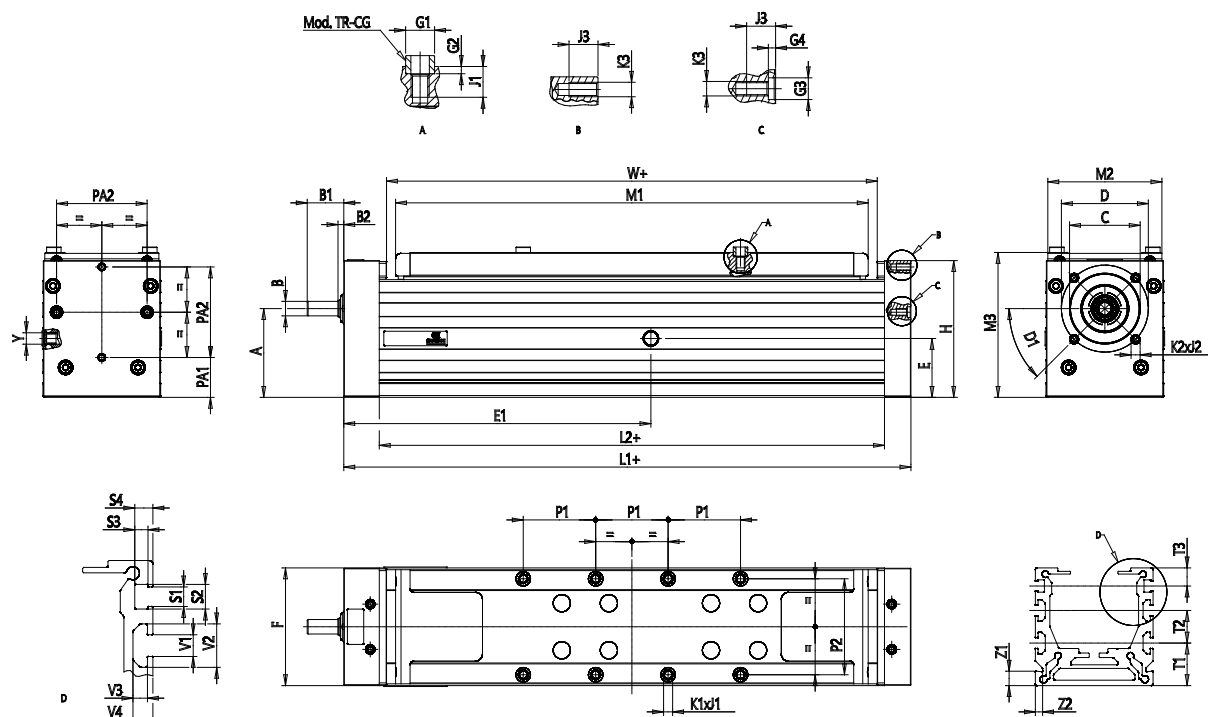


### TECHNICAL DATA

<b>Series</b>	5E
<b>Profile</b>	S = square section
<b>Size</b>	080
<b>Transmission</b>	BS = ball screw
<b>Screw pitch</b>	05P = 5mm
<b>Stroke (mm)</b>	1200
<b>Version</b>	A= standard axis
<b>Type of slider</b>	S = Standard
<b>Number of sliders</b>	1= 1 slider

## Ball screw electromechanical axis - Series 5E-SBS

Product code: 5ES080BS05P1200AS1



### DIMENSIONS

A (mm)	62.0
B(H7) (mm)	10
B1 (mm)	21.3
B2 (mm)	0.3
C (mm)	55
D (mm)	65
D1 (°)	45
E (mm)	38
E1 (mm)	219.0
F (mm)	80
G1(H8) (mm)	10
G2 (mm)	3
G3 (mm)	8
G4 (mm)	2
H (mm)	94.5
L1 (mm)	411
L2 (mm)	368.0
M1 (mm)	350
M2 (mm)	78
M3 (mm)	100
P1 (mm)	55
P2 (mm)	64
PA1 (mm)	30

PA2 (mm)	65
K1 (mm)	M6
J1 (mm)	12
K2 (mm)	M5
J2 (mm)	10
K3 (mm)	M5
J3 (mm)	10
T1 (mm)	25.0
T2 (mm)	25
T3 (mm)	10
V (mm)	8
Y	6.3
W (mm)	360.0
Z1 (mm)	8
Z2 (mm)	4
Weight stroke zero (kg)	6.75
Stroke weight per meter (kg)	9.85