

## Belt electromechanical axis - Series 5E-TBL

Product code: 5ES080TBL1600AS1

Datasheet creation date: 07/03/2025 16:47

Check the most updated document online [click here](#)

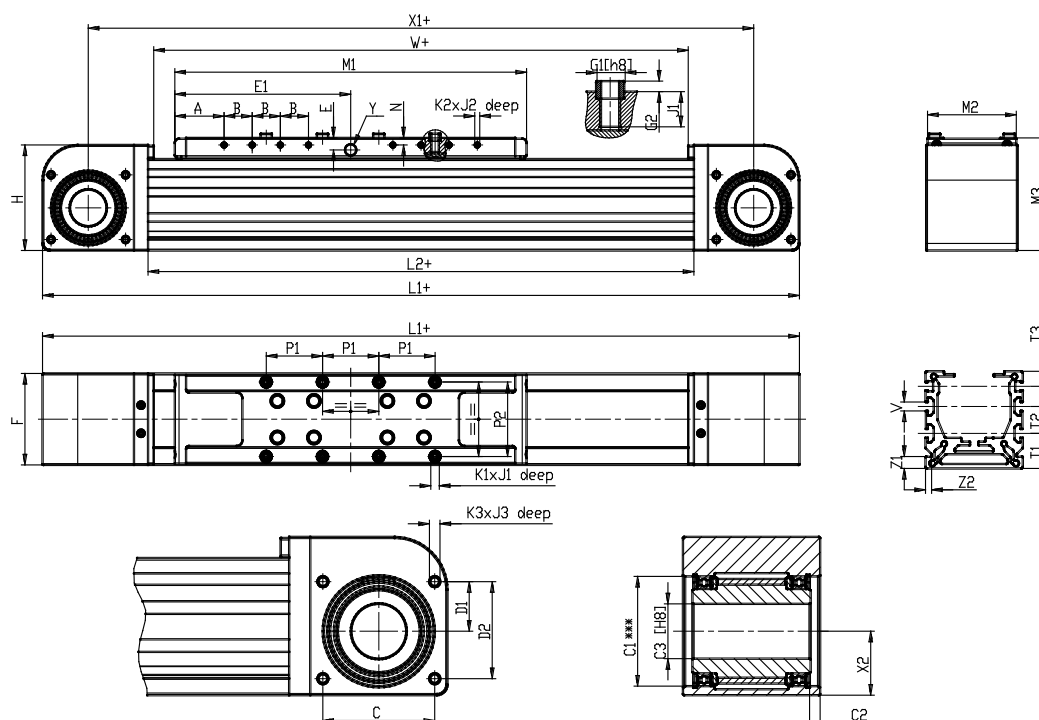


### TECHNICAL DATA

<b>SERIE (Series)</b>	5E
<b>PROFILO (Profile)</b>	S = square section
<b>TAGLIA (Size)</b>	080
<b>TRASMISSIONE (Transmission)</b>	TBL = toothed belt
<b>VERSIONE (Version)</b>	A= standard axis
<b>TIPOCURSORE (Type of slider)</b>	S= standard
<b>NUMEROCURSORI (Number of sliders)</b>	1= 1 slider
<b>CL (CL / mm)</b>	0
<b>CORSA (Stroke)</b>	1600

## Belt electromechanical axis - Series 5E-TBL

Product code: 5ES080TBL1600AS1



### DIMENSIONS

<b>A (A / mm)</b>	35.0
<b>B (B / mm)</b>	30
<b>C (C / mm)</b>	68
<b>C1 (C1 / mm)</b>	68
<b>C2 (C2 / mm)</b>	6.5
<b>C3 (C3 / mm)</b>	38
<b>C4 (C4 / mm)</b>	45
<b>C5 (C5 / mm)</b>	68
<b>D1 (D1 / mm)</b>	30.5
<b>D2 (D2 / mm)</b>	60.5
<b>E (E / mm)</b>	11.5
<b>E1 (E1 / mm)</b>	165.0
<b>E2 (E2 / mm)</b>	110
<b>F (F / mm)</b>	80
<b>F4 (F4 / mm)</b>	1
<b>G1 (Ø G1 / mm)</b>	10
<b>G2 (G2 / mm)</b>	3
<b>H (H / mm)</b>	95
<b>L1 (L1 / mm)</b>	548
<b>L2 (L2 / mm)</b>	368
<b>M1 (M1 / mm)</b>	330
<b>M2 (M2 / mm)</b>	78
<b>M3 (M3 / mm)</b>	100

<b>M4 (M4 / mm)</b>	270
<b>N (N / mm)</b>	8
<b>P1 (P1 / mm)</b>	55
<b>P2 (P2 / mm)</b>	64
<b>P3 (P3 / mm)</b>	31
<b>P4 (P4 / mm)</b>	33.5
<b>K1 (K1 / mm)</b>	M6
<b>J1 (J1 / mm)</b>	12
<b>K2 (K2 / mm)</b>	M4
<b>J2 (J2 / mm)</b>	8.5
<b>K3 (K3 / mm)</b>	M5
<b>J3 (J3 / mm)</b>	10
<b>T1 (T1 / mm)</b>	25.0
<b>T2 (T2 / mm)</b>	25.0
<b>T3 (T3 / mm)</b>	10
<b>V (V / mm)</b>	8
<b>Y (Y)</b>	**
<b>X1 (X1 / mm)</b>	468
<b>X2 (X2 / mm)</b>	40.5
<b>W (W / mm)</b>	360
<b>Z1 (Z1 / mm)</b>	8
<b>Z2 (Z2 / mm)</b>	4
<b>U (U / mm)</b>	40.5