

## 3/2-way solenoid valve Mod. 600 - Mod. 600

Product code: 600-450-A66LT

Datasheet creation date: 10/03/2025 11:27

Check the most updated document online [click here](#)

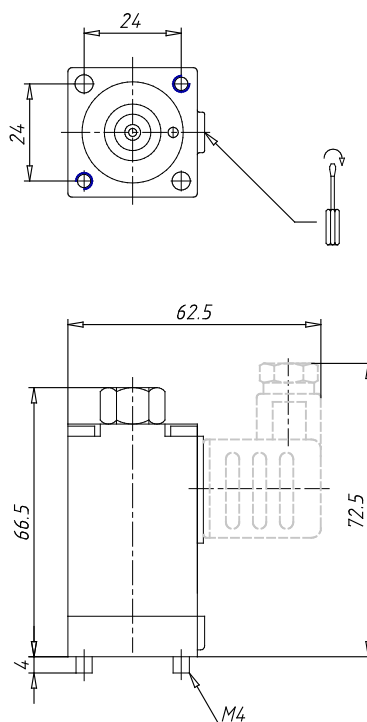


### TECHNICAL DATA

|                |                           |
|----------------|---------------------------|
| <b>Cod.</b>    | 600-450-A6                |
| <b>Voltage</b> | 6 = 110 V DC - 10 W       |
| <b>Version</b> | LT = for low temperatures |

## 3/2-way solenoid valve Mod. 600 - Mod. 600

Product code: 600-450-A66LT



### DIMENSIONS

|                               |           |
|-------------------------------|-----------|
| <b>Interface</b>              | Rotatable |
| <b>Function</b>               | 3/2 N.C.  |
| <b>Orifice (Ø mm)</b>         | 2         |
| <b>Qn (Nl/mm)</b>             | 106       |
| <b>Pressure min-max (bar)</b> | 0÷10      |