

3/2-way solenoid valve Mod. 600 - Mod. 600

Product code: 600-450-A6C

Datasheet creation date: 10/03/2025 11:27

Check the most updated document online [click here](#)

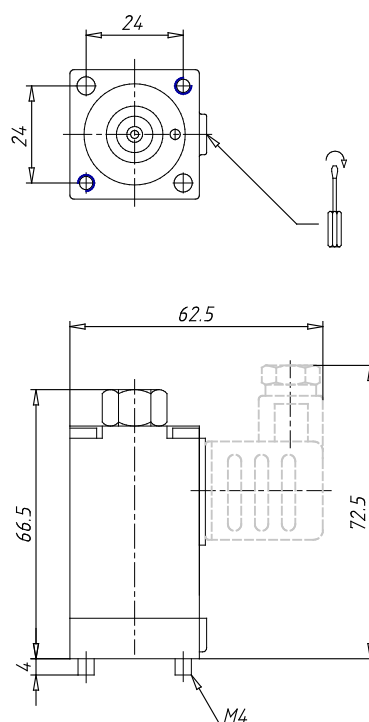


TECHNICAL DATA

Cod.	600-450-A6
Voltage	C= 48 V 50/60 Hz - 12 VA
Version	= Standard

3/2-way solenoid valve Mod. 600 - Mod. 600

Product code: 600-450-A6C



DIMENSIONS

Interface	Rotatable
Function	3/2 N.C.
Orifice (Ø mm)	2
Qn (Nl/mm)	106
Pressure min-max (bar)	0÷10