

3/2-way solenoid valve Mod. 600 - Mod. 600

Product code: 600-450-A6E

Datasheet creation date: 10/03/2025 11:27

Check the most updated document online [click here](#)

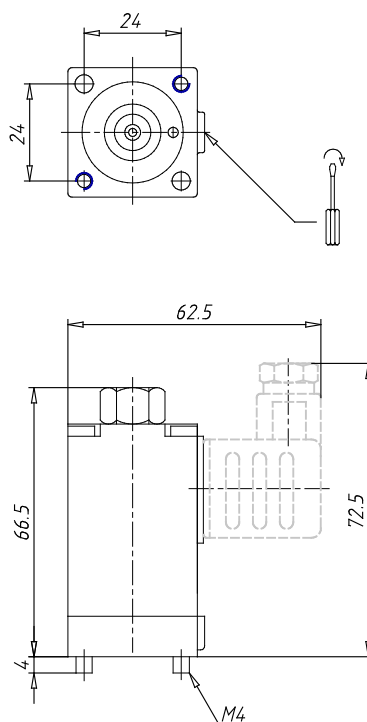


TECHNICAL DATA

| | |
|----------------|----------------------------|
| Cod. | 600-450-A6 |
| Voltage | E = 230 V 50/60 Hz - 12 VA |
| Version | = Standard |

3/2-way solenoid valve Mod. 600 - Mod. 600

Product code: 600-450-A6E



DIMENSIONS

| | |
|-------------------------------|-----------|
| Interface | Rotatable |
| Function | 3/2 N.C. |
| Orifice (Ø mm) | 2 |
| Qn (Nl/mm) | 106 |
| Pressure min-max (bar) | 0÷10 |