

Cylinders - aluminium profile ISO 15552 (ex DIN/ISO 6431 / VDMA 24562) - Series 61

Product code: 61M2P040A0400(50)

Datasheet creation date: 08/03/2025 15:33

Check the most updated document online [click here](#)

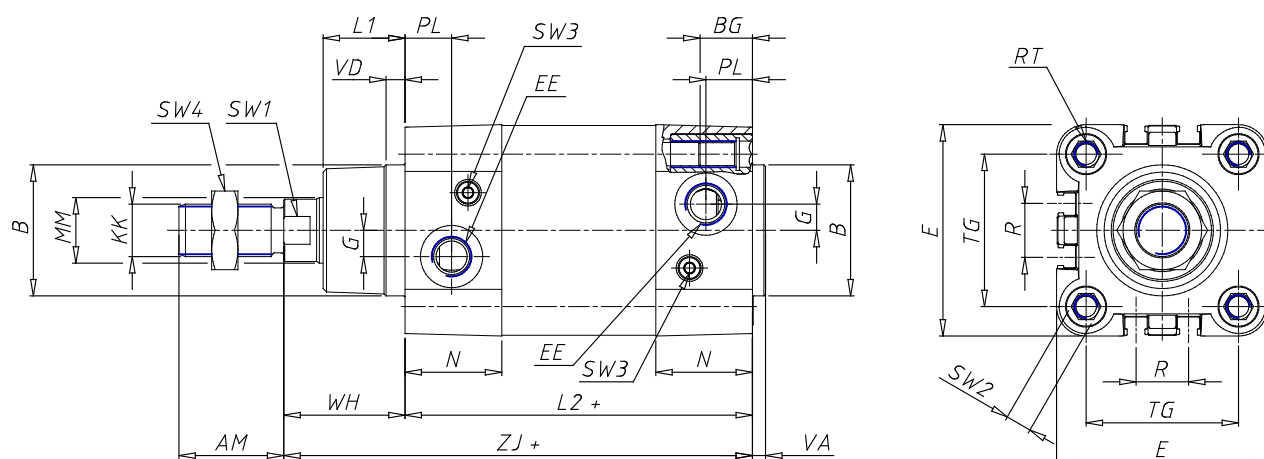


TECHNICAL DATA

| | |
|--------------------------------------|---|
| SERIE (Series / mm) | 61 |
| PHY (Diameter / mm) | 40 |
| VERSION (Version) | M = magnetic standard |
| FUNZ (Operation) | 2=double acting (front and rear cushions) |
| MAT (Materials) | P = standard: AL end-blocks and piston, rolled stainless steel AISI 420B rod, anodized AL profile tube, zinc-plated steel tie-rods and tie-rod nuts, PU seals |
| TYP (Construction) | A = standard with lock nut for rod |
| HUBT (Stroke type) | variable |
| HUB (Stroke / mm) | 400 |
| ES (execution) | - |
| LSTELO (extended piston / mm) | 50 |

Cylinders - aluminium profile ISO 15552 (ex DIN/ISO 6431 / VDMA 24562) - Series 61

Product code: 61M2P040A0400(50)



DIMENSIONS

| | |
|----------------|----------|
| MM (MM / mm) | 16 |
| KK (KK) | M12x1,25 |
| B (B d11 / mm) | 35 |
| PL (PL / mm) | 15 |
| L1 (L1 / mm) | 21 |
| AM (AM / mm) | 24 |
| VA (VA / mm) | 4 |
| EE (EE) | G1/4 |
| WH (WH / mm) | 30 |
| L2 (L2 / mm) | 105.0 |
| ZM (ZM / mm) | - |
| ZJ (ZJ / mm) | 135 |
| VD (VD / mm) | 5 |
| N (N / mm) | 29.0 |
| BG (BG / mm) | 16.0 |
| RT (RT) | M6 |
| G (G / mm) | 5.0 |
| TG (TG / mm) | 38.0 |
| R (R / mm) | 13.5 |
| E (E / mm) | 55.0 |
| SW1 (SW1 / mm) | 13 |
| SW2 (SW2 / mm) | 6 |
| SW3 (SW3 / mm) | 2 |

| | |
|------------------------------------|---------|
| SW4 (SW4 / mm) | 19 |
| HUBA (Cushion stroke front spring) | 20 |
| HUBP (Cushion stroke rear spring) | 17 |
| L3 (L3 / mm) | 221.5 |
| L4 (L4 / mm) | 8 |
| L5 (L5 / mm) | 13 |
| L6 (L6 / mm) | 22.5 |
| L7 (L7 / mm) | 38.0 |
| L8 (L8 / mm) | 50 |
| L9 (L9 / mm) | 105.0 |
| L10 (/ mm) | 178.0 |
| D (ø D / mm) | 16 |
| D1 (ø D1 d11 / mm) | 35.0 |
| D2 (ø D2 / mm) | 40 |
| D3 (ø D3 f6 / mm) | 28 |
| A (± 0.15 / mm) | 38.0 |
| GX (GX) | G1/8 |
| H (H / mm) | 30.0 |
| H1 (H1 / mm) | 53.0 |
| M (M) | M6 |
| Z (Z) | M6 x 20 |