

## Cylinders - aluminium profile ISO 15552 (ex DIN/ISO 6431 / VDMA 24562) - Series 61

Product code: 61M2P100A0600N

Datasheet creation date: 08/03/2025 14:16

Check the most updated document online [click here](#)

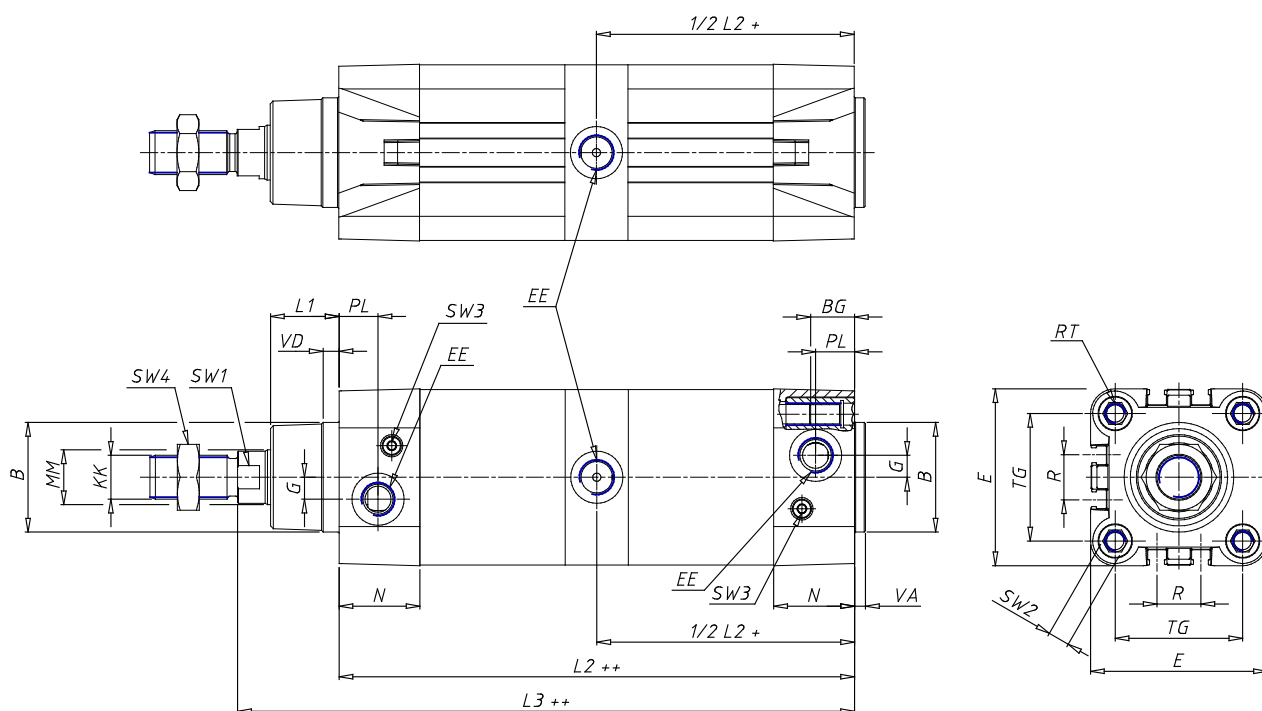


### TECHNICAL DATA

<b>SERIE (Series / mm)</b>	61
<b>PHY (Diameter / mm)</b>	100
<b>VERSION (Version)</b>	M = magnetic standard
<b>FUNZ (Operation)</b>	2=double acting (front and rear cushions)
<b>MAT (Materials)</b>	P = standard: AL end-blocks and piston, rolled stainless steel AISI 420B rod, anodized AL profile tube, zinc-plated steel tie-rods and tie-rod nuts, PU seals
<b>TYP (Construction)</b>	A = standard with lock nut for rod
<b>HUBT (Stroke type)</b>	variable
<b>HUB (Stroke / mm)</b>	600
<b>ES (execution)</b>	N = tandem
<b>LSTELO (extended piston / mm)</b>	0

## Cylinders - aluminium profile ISO 15552 (ex DIN/ISO 6431 / VDMA 24562) - Series 61

Product code: 61M2P100A0600N



### DIMENSIONS

MM (MM / mm)	25
KK (KK)	M20x1,5
B (B d11 / mm)	55
PL (PL / mm)	23
L1 (L1 / mm)	35
AM (AM / mm)	40
VA (VA / mm)	4
EE (EE)	G1/2
WH (WH / mm)	51
L2 (L2 / mm)	231.0
ZM (ZM / mm)	-
ZJ (ZJ / mm)	189
VD (VD / mm)	7
N (N / mm)	38.5
BG (BG / mm)	19.5
RT (RT)	M10
G (G / mm)	8.0
TG (TG / mm)	89.0
R (R / mm)	40.0
E (E / mm)	110.0
SW1 (SW1 / mm)	22
SW2 (SW2 / mm)	10
SW3 (SW3 / mm)	5

SW4 (SW4 / mm)	30
HUBA (Cushion stroke front spring)	21
HUBP (Cushion stroke rear spring)	19
L3 (L3 / mm)	282.0
L4 (L4 / mm)	18
L5 (L5 / mm)	20
L6 (L6 / mm)	39.0
L7 (L7 / mm)	69.0
L8 (L8 / mm)	105
L9 (L9 / mm)	138.0
L10 ( / mm)	269.0
D (ø D / mm)	25
D1 (ø D1 d11 / mm)	55.0
D2 (ø D2 / mm)	100
D3 (ø D3 f6 / mm)	58
A (± 0.15 / mm)	89.0
GX (GX)	G1/8
H (H / mm)	58.0
H1 (H1 / mm)	110.5
M (M)	M10
Z (Z)	M10 x 35