

Cylinders - aluminium profile ISO 15552 (ex DIN/ISO 6431 / VDMA 24562) - Series 61

Product code: 61M2P125A0100N

Datasheet creation date: 08/03/2025 14:33

Check the most updated document online [click here](#)

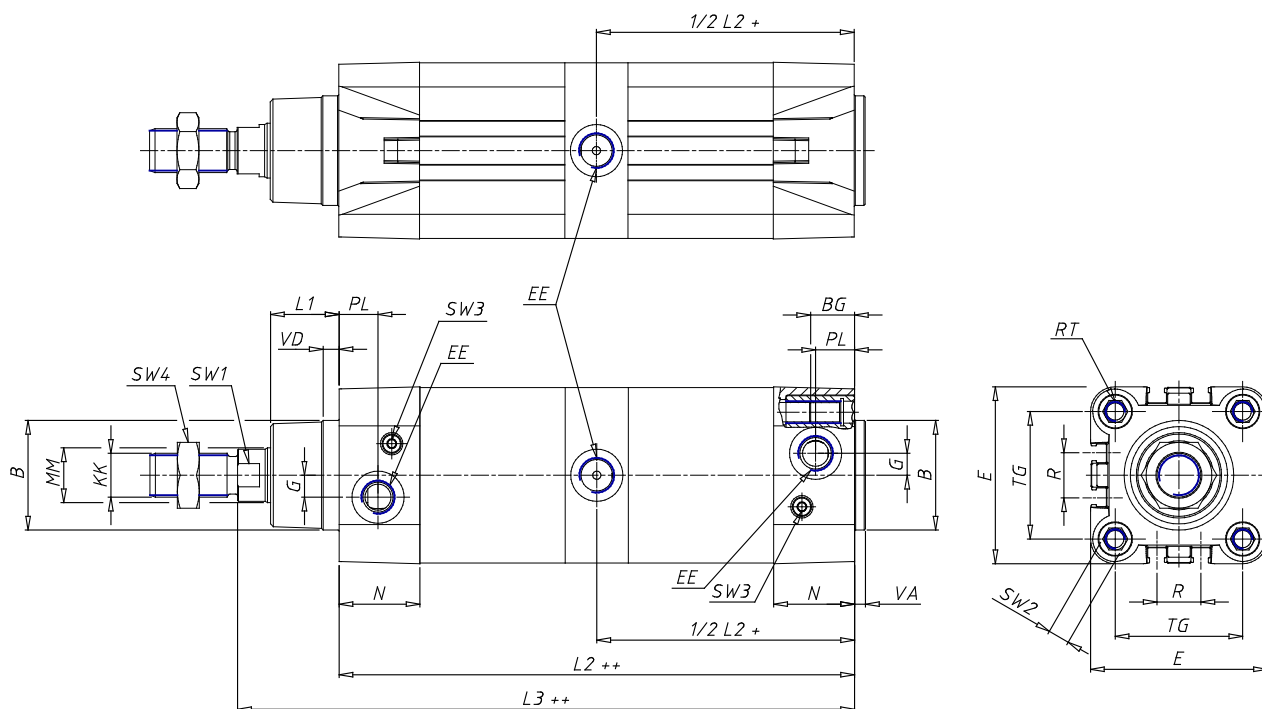


TECHNICAL DATA

SERIE (Series / mm)	61
PHY (Diameter / mm)	125
VERSION (Version)	M = magnetic standard
FUNZ (Operation)	2=double acting (front and rear cushions)
MAT (Materials)	P = standard: AL end-blocks and piston, rolled stainless steel AISI 420B rod, anodized AL profile tube, zinc-plated steel tie-rods and tie-rod nuts, PU seals
TYP (Construction)	A = standard with lock nut for rod
HUBT (Stroke type)	variable
HUB (Stroke / mm)	100
ES (execution)	N = tandem
LSTELO (extended piston / mm)	0

Cylinders - aluminium profile ISO 15552 (ex DIN/ISO 6431 / VDMA 24562) - Series 61

Product code: 61M2P125A0100N



DIMENSIONS

MM (MM / mm)	32
KK (KK)	M27x2
B (B d11 / mm)	60
PL (PL / mm)	23
L1 (L1 / mm)	42
AM (AM / mm)	54
VA (VA / mm)	6
EE (EE)	G1/2
WH (WH / mm)	65
L2 (L2 / mm)	264.0
ZM (ZM / mm)	-
ZJ (ZJ / mm)	225
VD (VD / mm)	8
N (N / mm)	43.0
BG (BG / mm)	23.0
RT (RT)	M12
G (G / mm)	10.5
TG (TG / mm)	110.0
R (R / mm)	50.0
E (E / mm)	135.0
SW1 (SW1 / mm)	27
SW2 (SW2 / mm)	12
SW3 (SW3 / mm)	4

SW4 (SW4 / mm)	41
HUBA (Cushion stroke front spring)	26
HUBP (Cushion stroke rear spring)	25
L3 (L3 / mm)	329.0
L4 (L4 / mm)	22
L5 (L5 / mm)	30
L6 (L6 / mm)	51.0
L7 (L7 / mm)	86.5
L8 (L8 / mm)	140
L9 (L9 / mm)	160.0
L10 (/ mm)	350.0
D (ø D / mm)	32
D1 (ø D1 d11 / mm)	60.0
D2 (ø D2 / mm)	130
D3 (ø D3 f6 / mm)	65
A (± 0.15 / mm)	110.0
GX (GX)	G1/8
H (H / mm)	80.0
H1 (H1 / mm)	150.0
M (M)	M12
Z (Z)	M12 x 40