

## Cylinders - aluminium profile ISO 15552 (ex DIN/ISO 6431 / VDMA 24562) - Series 61

Product code: 61M2P125A1700

Datasheet creation date: 08/03/2025 14:43

Check the most updated document online [click here](#)

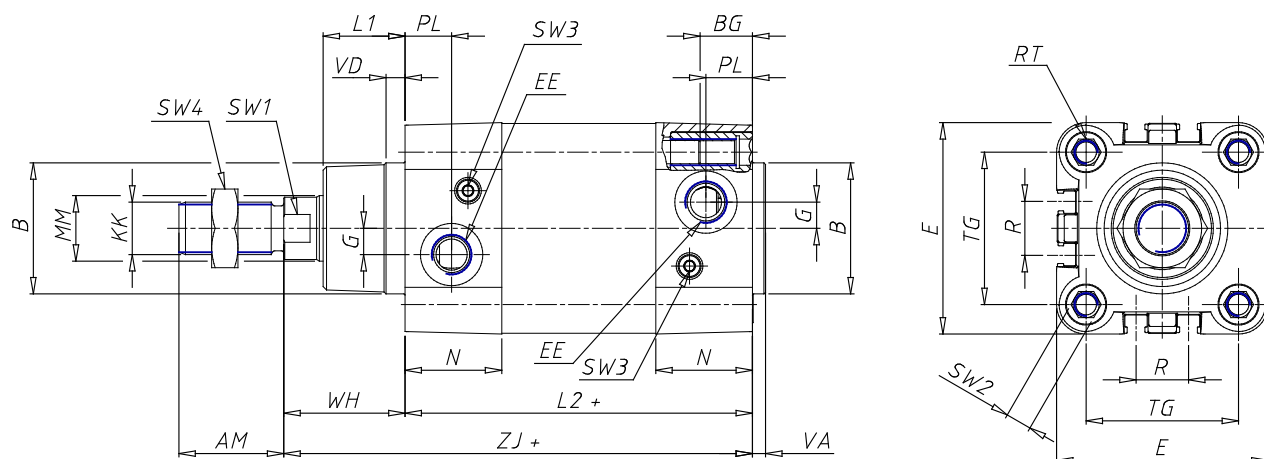


### TECHNICAL DATA

<b>SERIE (Series / mm)</b>	61
<b>PHY (Diameter / mm)</b>	125
<b>VERSION (Version)</b>	M = magnetic standard
<b>FUNZ (Operation)</b>	2=double acting (front and rear cushions)
<b>MAT (Materials)</b>	P = standard: AL end-blocks and piston, rolled stainless steel AISI 420B rod, anodized AL profile tube, zinc-plated steel tie-rods and tie-rod nuts, PU seals
<b>TYP (Construction)</b>	A = standard with lock nut for rod
<b>HUBT (Stroke type)</b>	variable
<b>HUB (Stroke / mm)</b>	1700
<b>ES (execution)</b>	-
<b>LSTELO (extended piston / mm)</b>	0

## Cylinders - aluminium profile ISO 15552 (ex DIN/ISO 6431 / VDMA 24562) - Series 61

Product code: 61M2P125A1700



### DIMENSIONS

MM (MM / mm)	32
KK (KK)	M27x2
B (B d11 / mm)	60
PL (PL / mm)	23
L1 (L1 / mm)	42
AM (AM / mm)	54
VA (VA / mm)	6
EE (EE)	G1/2
WH (WH / mm)	65
L2 (L2 / mm)	160.0
ZM (ZM / mm)	-
ZJ (ZJ / mm)	225
VD (VD / mm)	8
N (N / mm)	43.0
BG (BG / mm)	23.0
RT (RT)	M12
G (G / mm)	10.5
TG (TG / mm)	110.0
R (R / mm)	50.0
E (E / mm)	135.0
SW1 (SW1 / mm)	27
SW2 (SW2 / mm)	12
SW3 (SW3 / mm)	4

SW4 (SW4 / mm)	41
HUBA (Cushion stroke front spring)	26
HUBP (Cushion stroke rear spring)	25
L3 (L3 / mm)	329.0
L4 (L4 / mm)	22
L5 (L5 / mm)	30
L6 (L6 / mm)	51.0
L7 (L7 / mm)	86.5
L8 (L8 / mm)	140
L9 (L9 / mm)	160.0
L10 ( / mm)	350.0
D (ø D / mm)	32
D1 (ø D1 d11 / mm)	60.0
D2 (ø D2 / mm)	130
D3 (ø D3 f6 / mm)	65
A (± 0.15 / mm)	110.0
GX (GX)	G1/8
H (H / mm)	80.0
H1 (H1 / mm)	150.0
M (M)	M12
Z (Z)	M12 x 40