

Cylinders - aluminium profile ISO 15552 (ex DIN/ISO 6431 / VDMA 24562) - Series 61

Product code: 61M2W032A0500V

Datasheet creation date: 08/03/2025 15:15

Check the most updated document online [click here](#)

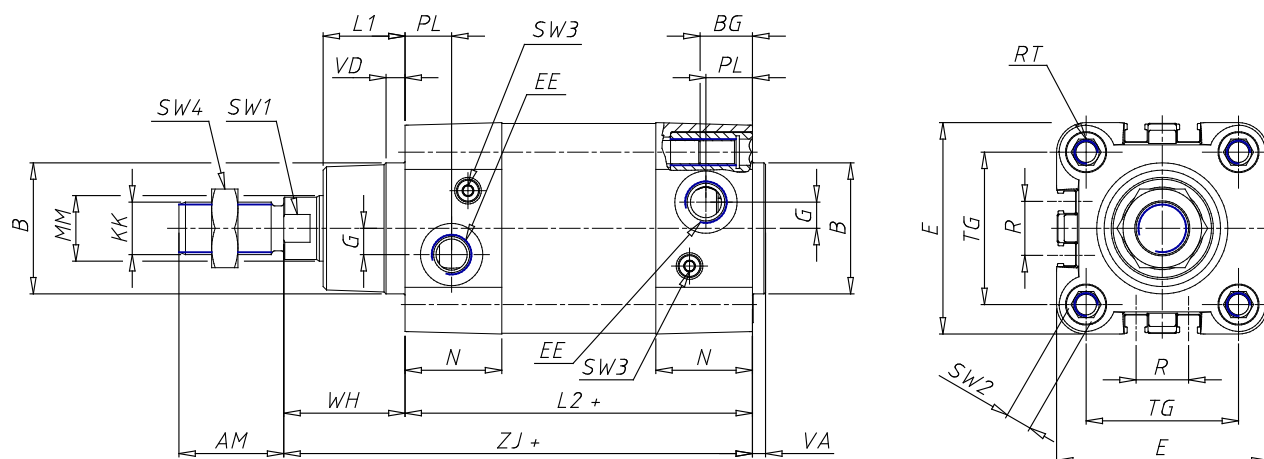


TECHNICAL DATA

SERIE (Series / mm)	61
PHY (Diameter / mm)	32
VERSION (Version)	M = magnetic standard
FUNZ (Operation)	2=double acting (front and rear cushions)
MAT (Materials)	W = rolled stainless steel AISI 304 piston rod, AISI304 piston-rod nut, AISI 420B tie-rods, AISI 303 tie-rod nuts
TYP (Construction)	A = standard with lock nut for rod
HUBT (Stroke type)	variable
HUB (Stroke / mm)	500
ES (execution)	V = FKM rod seal
LSTELO (extended piston / mm)	0

Cylinders - aluminium profile ISO 15552 (ex DIN/ISO 6431 / VDMA 24562) - Series 61

Product code: 61M2W032A0500V



DIMENSIONS

MM (MM / mm)	12
KK (KK)	M10x1,25
B (B d11 / mm)	30
PL (PL / mm)	14
L1 (L1 / mm)	18
AM (AM / mm)	22
VA (VA / mm)	4
EE (EE)	G1/8
WH (WH / mm)	26
L2 (L2 / mm)	94.0
ZM (ZM / mm)	-
ZJ (ZJ / mm)	120
VD (VD / mm)	5
N (N / mm)	26.0
BG (BG / mm)	16.0
RT (RT)	M6
G (G / mm)	5.0
TG (TG / mm)	32.5
R (R / mm)	13.0
E (E / mm)	46.0
SW1 (SW1 / mm)	10
SW2 (SW2 / mm)	6
SW3 (SW3 / mm)	2

SW4 (SW4 / mm)	17
HUBA (Cushion stroke front spring)	17
HUBP (Cushion stroke rear spring)	12
L3 (L3 / mm)	197.5
L4 (L4 / mm)	8
L5 (L5 / mm)	13
L6 (L6 / mm)	20.5
L7 (L7 / mm)	34.0
L8 (L8 / mm)	45
L9 (L9 / mm)	94.0
L10 (/ mm)	160.0
D (ø D / mm)	12
D1 (ø D1 d11 / mm)	30.5
D2 (ø D2 / mm)	35
D3 (ø D3 f6 / mm)	25
A (± 0.15 / mm)	32.5
GX (GX)	M5
H (H / mm)	25.5
H1 (H1 / mm)	46.5
M (M)	M6
Z (Z)	M6 x 20