

3/2-way solenoid valve - Mod. 638/648

Product code: 638-150-A6C

Datasheet creation date: 10/03/2025 11:26

Check the most updated document online [click here](#)

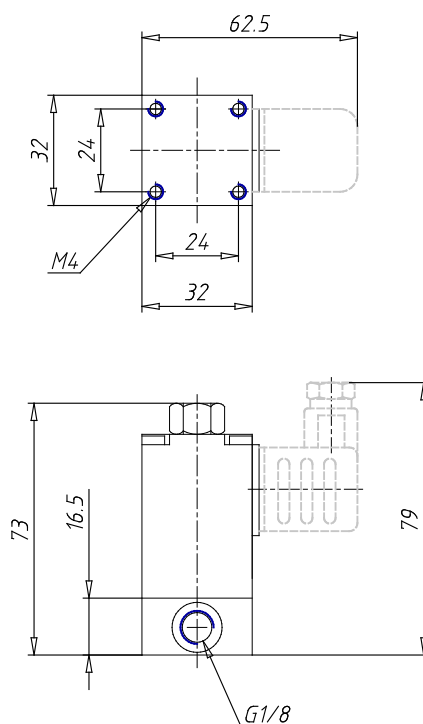


TECHNICAL DATA

Cod.	638-150-A6
Voltage	C= 48 V 50/60 Hz - 12 VA
Version	= Standard

3/2-way solenoid valve - Mod. 638/648

Product code: 638-150-A6C



DIMENSIONS

Thread port	G1/8
Function	3/2 N.C.
Orifice (Ø mm)	2
Qn (NI/mm)	130
Pressure min-max (bar)	0÷10