

## 3/2-way solenoid valve - Mod. 638M/63CM

Product code: 638M-101-A63

Datasheet creation date: 10/03/2025 11:26

Check the most updated document online [click here](#)

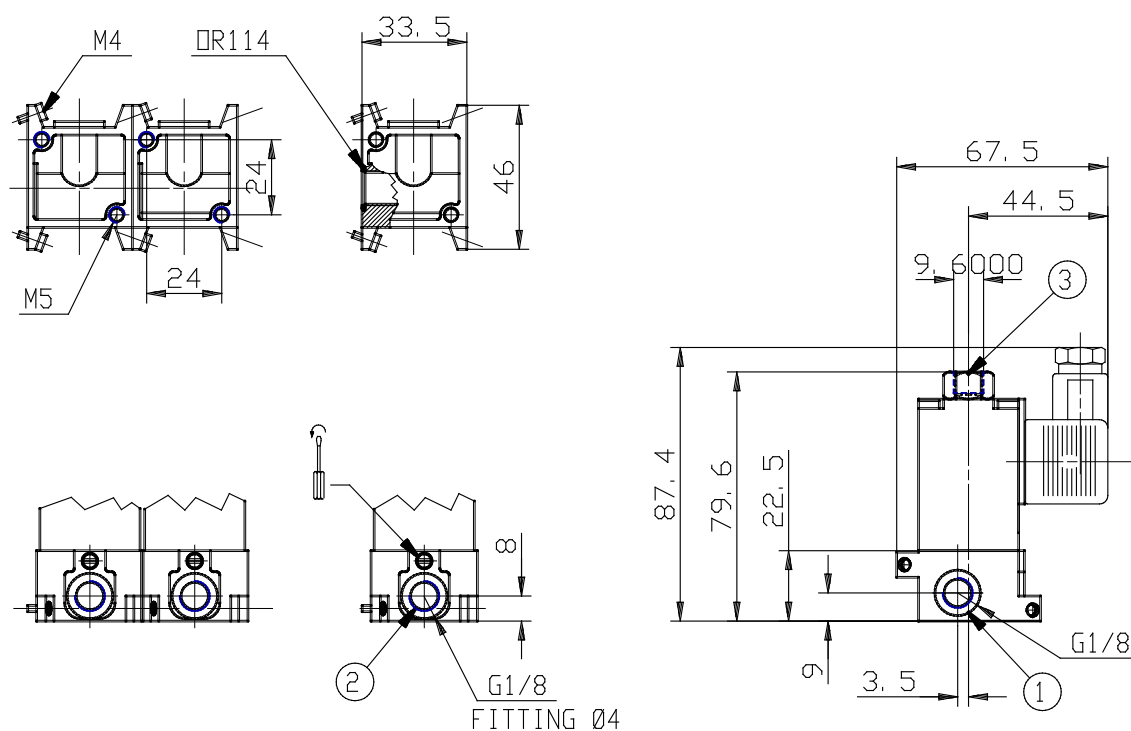


### TECHNICAL DATA

<b>Cod.</b>	638M-101-A6
<b>Voltage</b>	3 = 24 V DC - 10 W
<b>Version</b>	= Standard

## 3/2-way solenoid valve - Mod. 638M/63CM

Product code: 638M-101-A63



### DIMENSIONS

<b>Inlet / outlet</b>	G1/8 / G1/8
<b>Function</b>	3/2 N.C.
<b>Orifice (Ø mm)</b>	2
<b>Qn (NI/mm)</b>	120
<b>Pressure min-max (bar)</b>	0÷10