

## 3/2-way solenoid valve - Mod. 638M/63CM

Product code: 638M-101-A6B

Datasheet creation date: 10/03/2025 11:26

Check the most updated document online [click here](#)

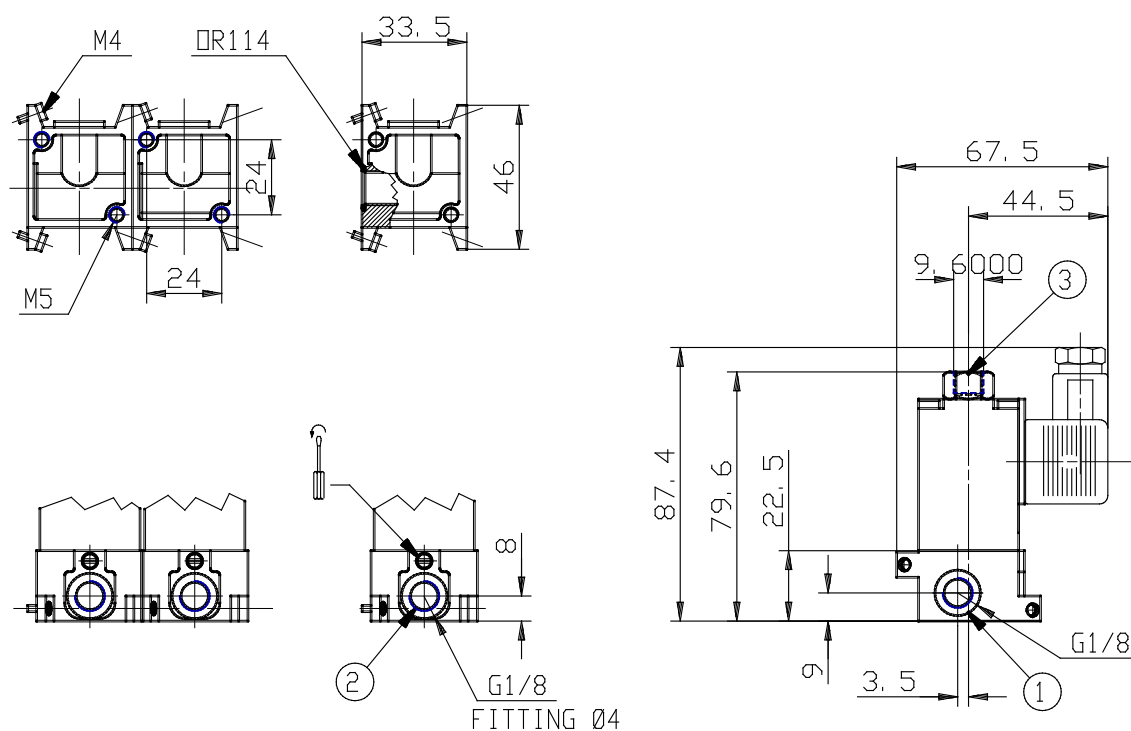


### TECHNICAL DATA

|                |                           |
|----------------|---------------------------|
| <b>Cod.</b>    | 638M-101-A6               |
| <b>Voltage</b> | B = 24 V 50/60 Hz - 12 VA |
| <b>Version</b> | = Standard                |

## 3/2-way solenoid valve - Mod. 638M/63CM

Product code: 638M-101-A6B



### DIMENSIONS

|                               |             |
|-------------------------------|-------------|
| <b>Inlet / outlet</b>         | G1/8 / G1/8 |
| <b>Function</b>               | 3/2 N.C.    |
| <b>Orifice (Ø mm)</b>         | 2           |
| <b>Qn (Nl/mm)</b>             | 120         |
| <b>Pressure min-max (bar)</b> | 0÷10        |