

3/2-way solenoid valve - Mod. 638M/63CM

Product code: 638M-101-A6C

Datasheet creation date: 10/03/2025 11:26

Check the most updated document online [click here](#)

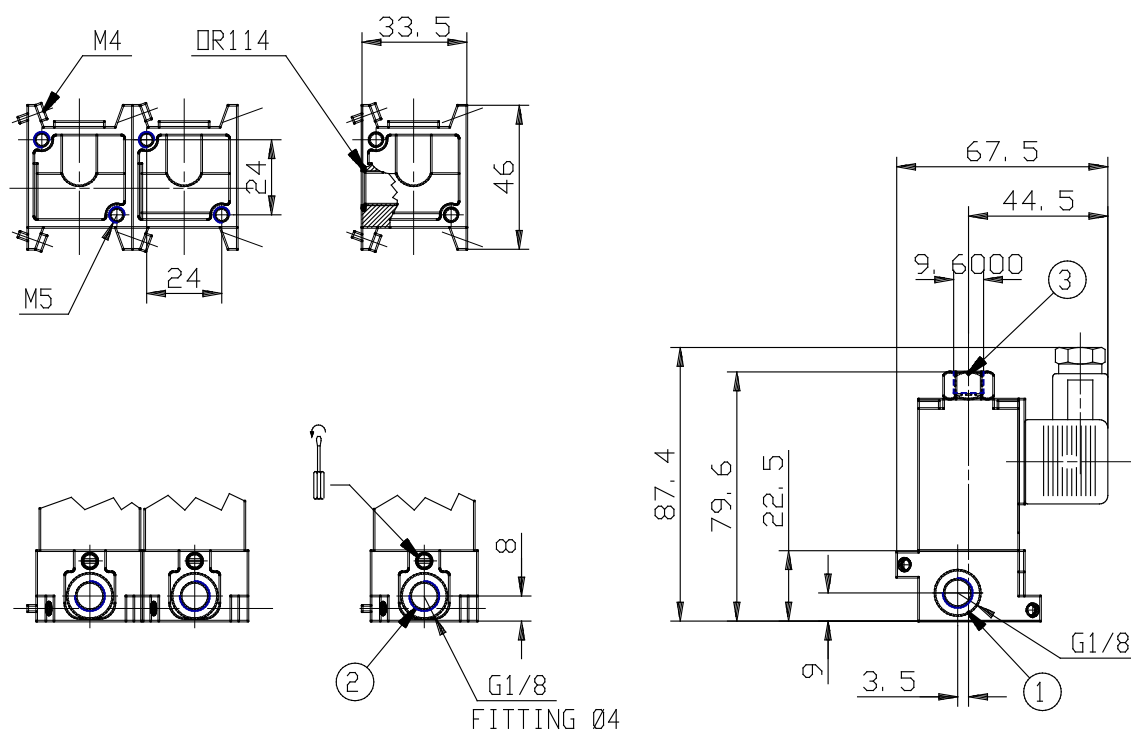


TECHNICAL DATA

| | |
|----------------|--------------------------|
| Cod. | 638M-101-A6 |
| Voltage | C= 48 V 50/60 Hz - 12 VA |
| Version | = Standard |

3/2-way solenoid valve - Mod. 638M/63CM

Product code: 638M-101-A6C



DIMENSIONS

| | |
|-------------------------------|-------------|
| Inlet / outlet | G1/8 / G1/8 |
| Function | 3/2 N.C. |
| Orifice (Ø mm) | 2 |
| Qn (NI/mm) | 120 |
| Pressure min-max (bar) | 0÷10 |