

## 3/2-way solenoid valve - Mod. 638M/63CM

Product code: 63CM-101-A6D

Datasheet creation date: 10/03/2025 11:26

Check the most updated document online [click here](#)

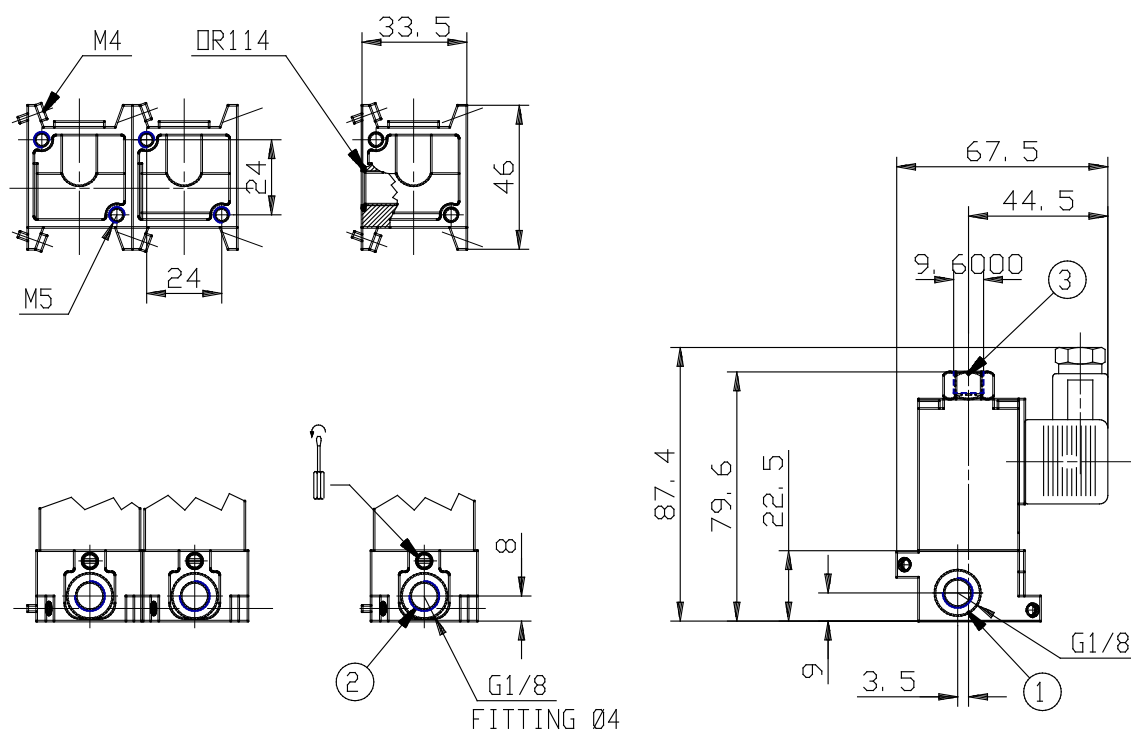


### TECHNICAL DATA

<b>Cod.</b>	63CM-101-A6
<b>Voltage</b>	D = 110 V 50/60 Hz - 12 VA
<b>Version</b>	= Standard

## 3/2-way solenoid valve - Mod. 638M/63CM

Product code: 63CM-101-A6D



### DIMENSIONS

<b>Inlet / outlet</b>	G1/8 / Ø4
<b>Function</b>	N.C.
<b>Orifice (Ø mm)</b>	2
<b>Qn (Nl/mm)</b>	108
<b>Pressure min-max (bar)</b>	0÷10